



## Whitehall Ligature Resistant Siphon Jet Toilet

Model WH2142-ADA-W-EGE10  
 (Wall Supply)



WH2142ADA-W-EGE10

### Ligature Resistant Siphon Jet Toilet - ADA 2010 Compliant

**Ligature Resistant Siphon Jet Toilet** is arranged to be installed against a finished wall from the front side with a fixture-to-wall mounting channel. Unit is fabricated from 16 gage, type 304 stainless steel and is seamless welded construction with exterior surfaces powder coated white (interior of toilet will have a satin finish and will not be powder coated). Toilet will be provided with WH-LRSC-GRAY Ligature Resistant ABS Toilet Seat Cover.

**Toilet** is siphon jet type with an elongated bowl manufactured to comply with ASME A112.19.3, CSA B45.4 and 2010 ADA Standards for Accessible Design. Toilet requires a minimum of 25 PSI flow pressure and uses a minimum water consumption of 1.28 GPF. On-floor units can withstand load rating of 5000 lbs. without permanent damage. Trap has a minimum 3-1/2" seal, will pass a 2-1/8" ball and is fully enclosed. Toilet has a 1-1/2" NPT flushing inlet connection. Wall waste outlet connection is a 5-1/2" gasket flange. Floor waste outlet locations from rear of fixture are 10" or 12" with a 7-1/2" gasket flange.

**Flush Valves, Top Supply Covers and Wall Supply Access Panels** are optionally available for all styles of Toilets and may be specified separately.

### GUIDE SPECIFICATION

Provide and install Whitehall Best-Care™ Ligature Resistant ADA 2010 Compliant Toilet (specify model number and options). Fixture shall be fabricated from 16 gage, type 304 stainless steel. On-floor units can withstand load rating of 5000 lbs. without permanent damage. Construction shall be seamless welded and exterior surfaces are powder coated white. Housing to include side access panels. Toilet shall be concealed siphon jet type with an elongated bowl and self-draining flushing rim. Toilet shall be ASME A112.19.3, CSA B45.4, and ADA 2010 compliant. Toilet requires a minimum of 25 PSI flow pressure and uses a minimum water consumption of 1.28 GPF. Toilet trap shall have a minimum 3-1/2" seal and shall pass a 2-1/8" diameter ball and is fully enclosed. Provided with WH-LRSC-GRAY Ligature Resistant ABS Toilet Seat Cover.

- **Patented US 10,052,000 B2**

Please visit [www.whitehallmfg.com](http://www.whitehallmfg.com) for most current specifications.



Recyclable Product



Water Conserving Product

Complies with the following standards:





**MODEL NUMBER AND OPTIONS SELECTION:**

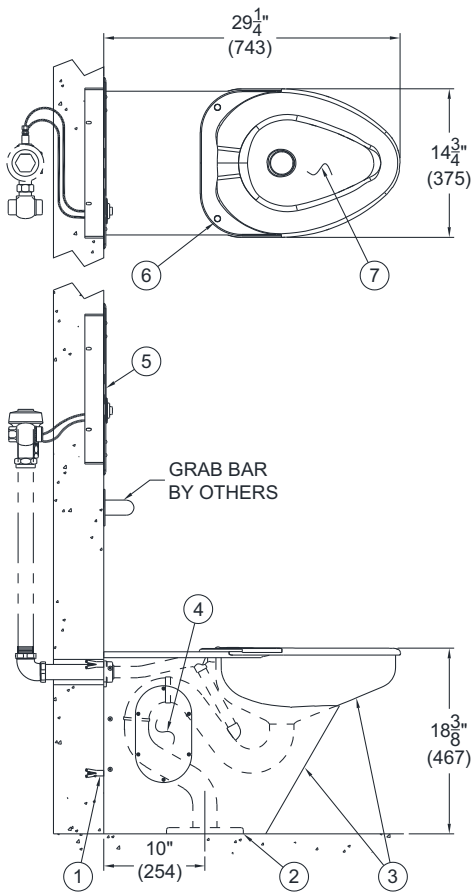
**BASE MODEL NUMBER**

- WH2142-ADA-W-2-EGE10 Wall Outlet, Siphon Jet Toilet
- WH2142-ADA-W-3-EGE10\_10 Floor Outlet, Siphon Jet Toilet (10" rough-in from wall to the center of waste outlet)
- WH2142-ADA-W-3-EGE10\_12 Floor Outlet, Siphon Jet Toilet (12" rough-in from wall to the center of waste outlet)

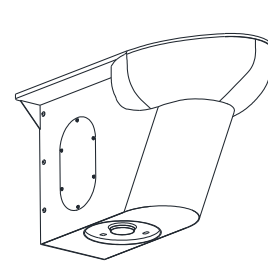
**Accessories:**

Note: Gray Ligature Resistant Seat Cover is Standard

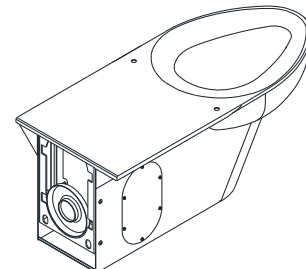
- WH-LRSC-WHITE Ligature Resistant Seat Cover, White (Shipped Loose)
- WH-LRSC-BLUE Ligature Resistant Seat Cover, Dignity Blue (Shipped Loose)



MODEL# WH2142-ADA-W-3\_10 SHOWN



FLOOR WASTE  
 MODEL #WH2142-ADA-W-3



WALL WASTE  
 MODEL #WH2142-ADA-W-2

**IMPORTANT!**  
 TOILETS ARE SUPPORTED ON THE FLOOR AND BOLT TO REINFORCED WALL. FIXTURES ARE NOT INTENDED FOR USE WITH TOILET CARRIERS.

**NOTES:**

1. WALL MOUNTING HARDWARE BY OTHERS
2. -3, FLOOR WASTE OUTLET SHOWN)
3. EXTERIOR SURFACES POWDER COATED WHITE
4. ACCESS PANELS (BOTH SIDES)
5. WH2898 FLUSH VALVE ACCESS PANEL w/ HYDRAULIC FLUSH VALVE SHOWN
6. WH-LRSC-GRAY WHITEHALL LIGATURE RESISTANT ABS TOILET SEAT COVER
7. INTERIOR OF TOILET w/ SATIN FINISH (NOT POWDER COATED)

**DISCLAIMER:**

This product is designed to decrease the probability that it may be utilized as an apparatus for ligature. It is not a replacement for professionals who are trained in the proper evaluation, management and supervision of persons at risk of suicide.

**⚠ WARNING: Cancer and Reproductive Harm - [www.P65Warnings.ca.gov](http://www.P65Warnings.ca.gov)**

**SELECTION SUMMARY & APPROVAL FOR MANUFACTURING**

Model Number & Options \_\_\_\_\_ Quantity \_\_\_\_\_  
 Company \_\_\_\_\_ Date \_\_\_\_\_  
 Contact \_\_\_\_\_ Title \_\_\_\_\_  
 Approval for Manufacturing/Signature \_\_\_\_\_

All dimensions are nominal and subject to manufacturer's change without notice. Whitehall assumes no responsibility for use of void or superseded data © Whitehall Manufacturing, Member of Morris Group International. Please visit [www.whitehallmfg.com](http://www.whitehallmfg.com) for most current specifications.