



## Whitehall Ligature Resistant High Efficiency Urinal (With Flush Valve Cover Provided Separately)

Model WH2158-T-EB-EG10  
 (Top Supply)

Optional 2802SLPT  
 Flush Valve Cover  
 w/Flush Valve shown  
 for reference.  
 (Required for Ligature  
 Resistant Installation).



WH2158-T-EB-EG10

### Ligature Resistant High Efficiency Urinal

**High Efficiency Urinal** is engineered to combine attractive looks, versatility and intended for mounting onto a finished wall from the front side. The fixture includes an enclosed bottom with access panel that can be removed to facilitate mounting directly to a reinforced wall from within the housing.

**Fixture** housing is fabricated of 18 gage, with bowl of 16 gage, type 304 stainless steel. All exterior surfaced are powder coated white.

**Urinal** is a high efficiency type requiring a 0.125 GPF (0.47 Liters per flush) to 0.5 GPF (1.8 Liters per flush) flush valve and supplied with 3/4" NPT flushing inlet connection and stainless steel bee hive dome strainer with 1-1/2" O.D. P-Trap assembly.

**Flush Valve and Top Supply Cover** are optionally available may be specified separately. Refer to WH2802SLPT and WH2802-SLPT-ADA Series submittal.

### GUIDE SPECIFICATION

Provide Ligature Resistant Stainless Steel High Efficiency Urinal (specify model number and options). Interior to have a contoured surface to facilitate cleaning. Unit has an enclosed bottom with removable access panel. Fixture shall be fabricated of 18 gage, with 16 gage bowl, type 304 stainless steel. All exposed surfaces are powder coated white.

Please visit [www.whitehallmfg.com](http://www.whitehallmfg.com)  
 for most current specifications.



Complies  
 with the  
 following  
 standards:



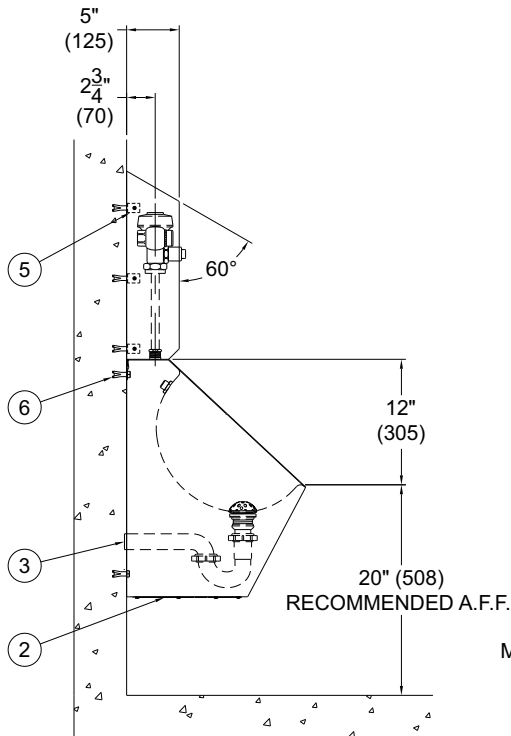
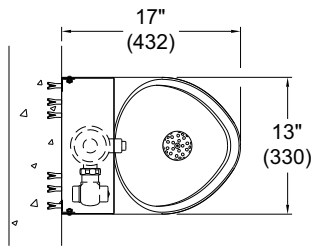


**MODEL AND OPTIONS SELECTION:**

**BASE MODEL NUMBER**

WH2158-T-EG10

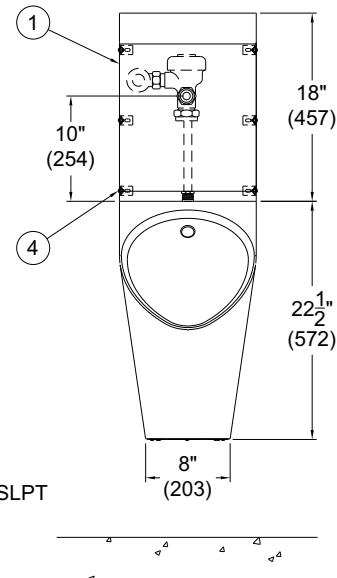
Ligature Resistant High Efficiency Urinal



MODEL #WH2158T-2802SLPT

**Notes:**

1. Optional Flush Valve Cover w/ Flush Valve (Shown for Reference Only)
2. Removable Access Panel
3. 1-1/2" O.D. P-Trap Assembly
4. Vandal Resistant Fasteners
5. Mounting Clips
6. Wall Anchors and Anchoring Hardware (By Others)



**DISCLAIMER:**

This product is designed to decrease the probability that it may be utilized as an apparatus for ligature. It is not a replacement for professionals who are trained in the proper evaluation, management and supervision of persons at risk of suicide.

**⚠ WARNING: Cancer and Reproductive Harm - [www.P65Warnings.ca.gov](http://www.P65Warnings.ca.gov)**

All dimensions are nominal and subject to manufacturer's change without notice. Whitehall assumes no responsibility for use of void or superseded data © Whitehall Manufacturing, Member of Morris Group International. Please visit [www.whitehallmfg.com](http://www.whitehallmfg.com) for most current specifications.

Model Number & Options \_\_\_\_\_ Quantity \_\_\_\_\_  
 Company \_\_\_\_\_ Date \_\_\_\_\_  
 Contact \_\_\_\_\_ Title \_\_\_\_\_  
 Approval for Manufacturing/Signature \_\_\_\_\_