



Whitehall Manufacturing®
 Manufacturer of Healthcare and Rehabilitation Products since 1946

BestCare®
 Patients, Not Prisoners®

**Healthcare and Ligature
 Resistant Products**

Division of
 Acorn Engineering Company®

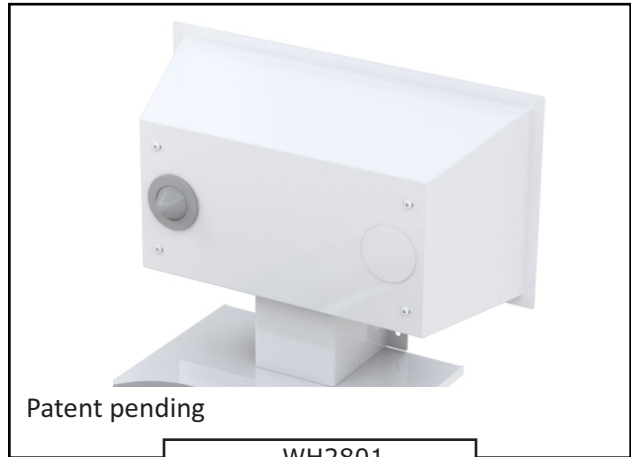


A MEMBER OF



Whitehall Ligature Resistant Retrofit Flush Valve Cover

Model WH2801



Ligature Resistant Retrofit Flush Valve Cover

This flush valve cover is designed to retrofit over an existing lever handle flush valve. When installed, this flush valve cover converts the existing lever handle flush valve to pushbutton actuation. No modification is required to the existing flush valve installation. The flush valve cover and button assembly is installed over the existing flush valve retrofitting it into a ligature resistant installation. When installed, the BestCare supplied pushbutton retains ADA requirements of less than 5 pounds of force to actuate the flush valve. This assembly is also designed to be installed over existing left or right lever handle orientations.

Flush Valve Cover And Button

This ligature resistant flush valve cover is made from 16 gage 304 stainless steel with exposed surfaces powder coated white. Provided hardware is Allen head center reject screws. The conical shaped pushbutton is machined from gray PVC plastic and is designed to be ligature resistant. Internal components are either 304 stainless steel or PVC plastic. The flush valve cover is designed to slide up or down the vacuum breaker cover, adapting to height variations in the existing installation. The pushbutton mechanism adjusts front-to-back for installation variations of distance from wall to centerline

of the flush valve.

GUIDE SPECIFICATION

Provide and install BestCare ligature resistant flush valve cover and conical pushbutton. Designed for an existing lever handle flush valve. Flush valve cover is made from 16 gage 304 stainless steel with exposed surfaces powder coated white. Flush valve cover shall convert lever handle operation to an ADA compliant pushbutton operation.

NOTE: FLUSH VALVE NOT INCLUDED

Please visit www.whitehallmfg.com for most current specifications.



Member of
 U.S. Green
 Building
 Council



Recyclable
 Product



Water
 Conserving
 Product

Complies
 with the
 following
 standards:



Whitehall Mfg. • P.O. Box 3527 • City of Industry, CA 91744 • (800) 782-7706 • (626) 968-6681 • Fax (626) 855-4862

WH2801

New: 09/11/19

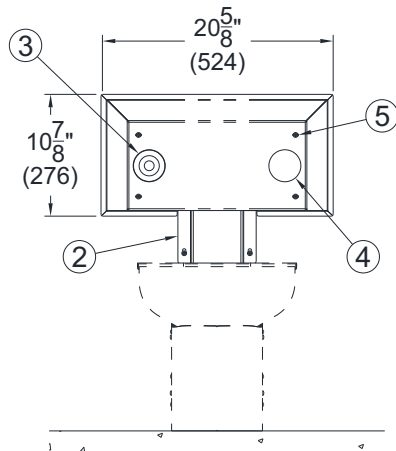
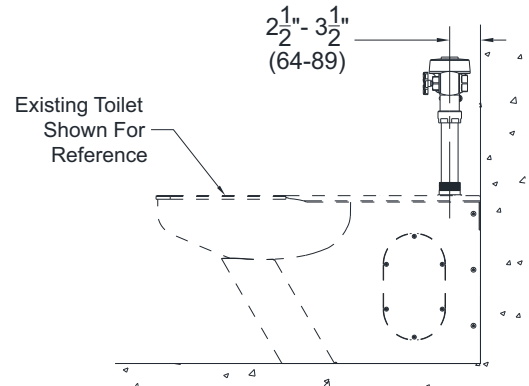
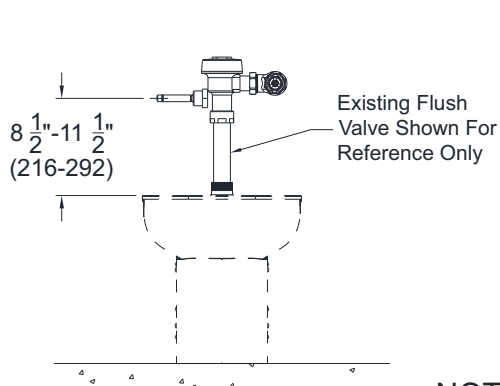


MODEL AND OPTIONS SELECTION:

BASE MODEL NUMBER

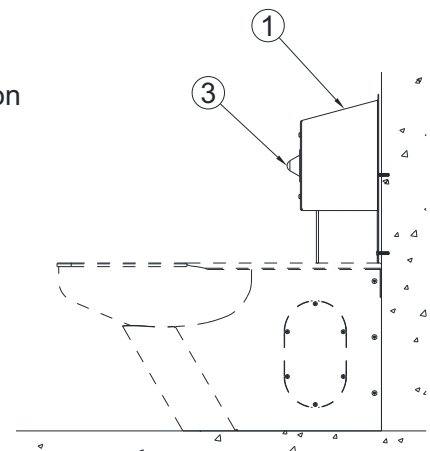
TOILET

- WH2801 Ligature Resistant Flush Valve Cover (White)
- WH2801-SS Ligature Resistant Flush Valve Cover (Satin Finish Stainless Steel)



NOTES:

- ① Retrofit Flush Valve Cover
- ② Vacuum Breaker Cover
- ③ Conical Pushbutton
- ④ Blank Pushbutton Escutcheon
- ⑤ Vandal Resistant Screws



WH2801

DISCLAIMER:

This product is designed to decrease the probability that it may be utilized as an apparatus for ligature. It is not a replacement for professionals who are trained in the proper evaluation, management and supervision of persons at risk of suicide.

⚠ WARNING: Cancer and Reproductive Harm - www.P65Warnings.ca.gov

SELECTION SUMMARY & APPROVAL FOR MANUFACTURING

Model Number & Options _____ Quantity _____
 Company _____ Date _____
 Contact _____ Title _____
 Approval for Manufacturing/Signature _____

All dimensions are nominal and subject to manufacturer's change without notice. Whitehall assumes no responsibility for use of void or superseded data © Whitehall Manufacturing, Member of Morris Group International. Please visit www.whitehallmfg.com for most current specifications.