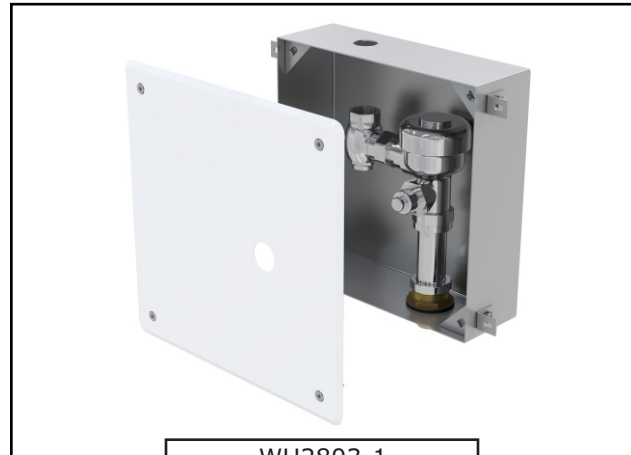




Whitehall Ligature Resistant Recessed Wall Box with Flush Valve

Model WH2803-1



Ligature Resistant Recessed Wall Box with Flush Valve

Recommended for flushing conventional toilets and urinals with back supply flush valve connections. The recessed design is ideal for remote flushing and provides easy access to the pre-installed, concealed flush valve when an accessible pipe chase is not available and vandal resistance is a concern.

Flush Valve is exposed type with cast bronze body. Flush valve features quiet operation and includes non-hold open metal pushbutton, union angle stop and code approved vacuum breaker. All exposed parts are polished chrome plate.

Wall Box is 16 gage, type 304 stainless steel with interior having a glass blast satin finish. It is furnished with four removable wall brackets secured with vandal resistant screws.

Box Cover is 14 gage, type 304 stainless steel with exposed surfaces powder coated white. Cover is provided with hole for flush valve pushbutton and is secured to box with vandal resistant screws.

GUIDE SPECIFICATION

Provide and install a Best Care Recessed Wall Box with Flush Valve. Box is fabricated from 16 gage, type 304 stainless steel. Box Cover is fabricated from 14 gage, type 304 stainless steel with exposed surfaces powder coated white. Flush valve shall be pushbutton operated with box cover secured with stainless steel vandal resistant fasteners. Mounting hardware, piping and adapter between flush valve and fixture shall be by others.

Please visit www.whitehallmfg.com
for most current specifications.



Member of
U.S. Green
Building
Council



Recyclable
Product



Water
Conserving
Product



MODEL AND OPTIONS SELECTION:

BASE MODEL NUMBER

TOILET

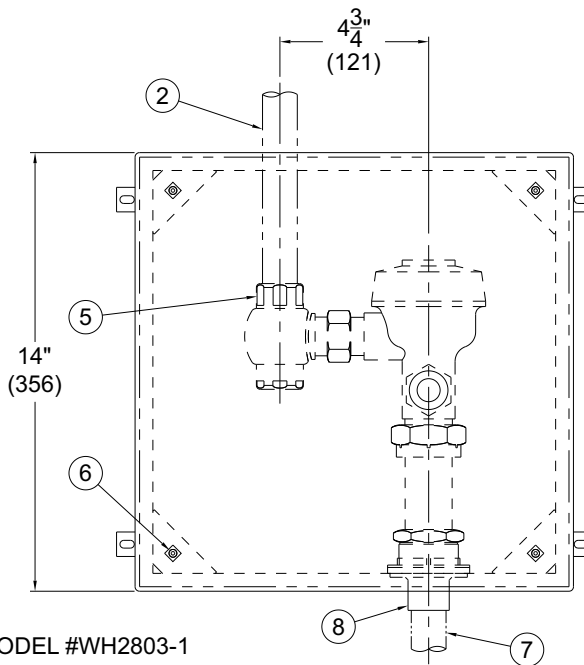
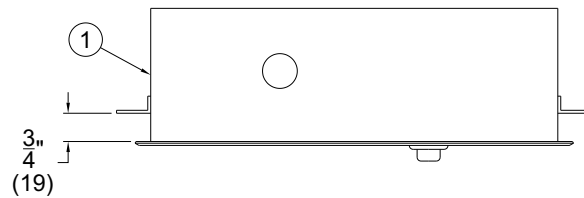
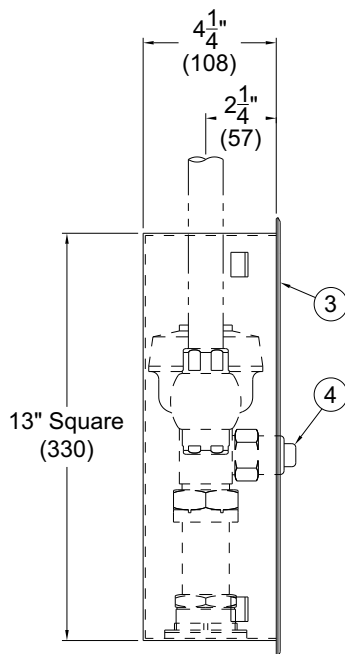
- WH2803-1-1.28 Ligature Resistant Recessed Wall Box with 1.28 GPF Flush Valve (White)
- WH2803-1-1.6 Ligature Resistant Recessed Wall Box with 1.6 GPF Flush Valve (White)

URINAL

- WH2803-1-1.0 Ligature Resistant Recessed Wall Box with 1.0 GPF Flush Valve (White)
- WH2803-1-1.5 Ligature Resistant Recessed Wall Box with 1.5 GPF Flush Valve (White)

1. Box With Wall Brackets
2. Supply Piping By Others
3. Removable Access Panel
4. Pushbutton
5. 1" NPT Supply Connection
6. Vandal Resistant Screws - 4 Places
7. Outlet Tubing & Adapter By Others
8. 1" NCT Fitting

NOTE: FLUSH VALVE MUST BE NO MORE THAN 144" FROM THE FIXTURE INLET



MODEL #WH2803-1

DISCLAIMER:

This product is designed to decrease the probability that it may be utilized as an apparatus for ligature. It is not a replacement for professionals who are trained in the proper evaluation, management and supervision of persons at risk of suicide.

SELECTION SUMMARY & APPROVAL FOR MANUFACTURING

Model Number & Options _____ Quantity _____
 Company _____ Date _____
 Contact _____ Title _____
 Approval for Manufacturing/Signature _____

All dimensions are nominal and subject to manufacturer's change without notice. Whitehall assumes no responsibility for use of void or superseded data © Whitehall Manufacturing, Member of Morris Group International. Please visit www.whitehallmfg.com for most current specifications.