



Whitehall Manufacturing
 Manufacturer of Healthcare and Rehabilitation Products since 1946

BestCare
 Patients, Not Prisoners

**Healthcare and Ligature
 Resistant Products**

Division of
 Acorn Engineering Company



A MEMBER OF



Whitehall Ligature Resistant Sensor Activated Faucet 4" Centerset

Model WH3375-SO



WH3375-SO

Fixture May Show Some Available Options

Ligature Resistant Sensor Activated Faucet 4" Centerset

The Ligature Resistant Sensor Activated Faucet is recommended for patient bathrooms and facilities where at risk accommodations are a concern. The faucet is designed to retrofit onto existing 4" centerset lavatory decks with 3-hole openings providing Ø1" minimum to Ø1-1/2" maximum holes; or can be specified with Whitehall BestCare ligature resistant lavatories. The faucet includes hand free operation, made of chrome plated lead-free brass and intended to be vandal resistant.

Valve is an electronic valve with sensor activation. Valve includes 9VDC Sensor that will keep the solenoid open, allowing water to flow until the object is removed from sensor range. If an object is positioned in a manner that it is under constant detection, the sensor will turn off the solenoid after 20 seconds. A 120VAC/9VDC plug-in transformer or a 6 AA Battery Box is provided.

Spray nozzle is non-splashing, non-aerated, multi-stream with a 0.5 GPM flow control.

Optional WHST70-12 or WHST70-38 Mixing Valve option is ASSE 1070 compliant and delivers tempered water flow by compensating for pressure and temperature fluctuations. Valve is to be field set to 105° Fahrenheit and includes strainers and integral checks. Operating range is 30 to 100 PSI.

Fixture is ADA Compliant. Unit conforms with ADA requirements for accessibility when correctly installed. Compliance is subject to the interpretation and requirements of the local code authority.

GUIDE SPECIFICATION

Provide and install Ligature Resistant Faucet (specify model number and options). Faucet valve shall be electronic, sensor activation. Assembly shall include 0.5 GPM flow control, multi-stream laminar spray nozzle, 9VDC sensor and faucet connections.

Please visit www.whitehallmfg.com for most current specifications.



Member of
 U.S. Green
 Building
 Council



Recyclable
 Product



Water
 Conserving
 Product

Complies
 with the
 following
 standards:



Federal
 Public Law
 111-380
 (No Lead)

Whitehall Mfg. • P.O. Box 3527 • City of Industry, CA 91744 • (800) 782-7706 • (626) 968-6681 • Fax (626) 855-4862

WH3375-SO

Revised: 02/12/21



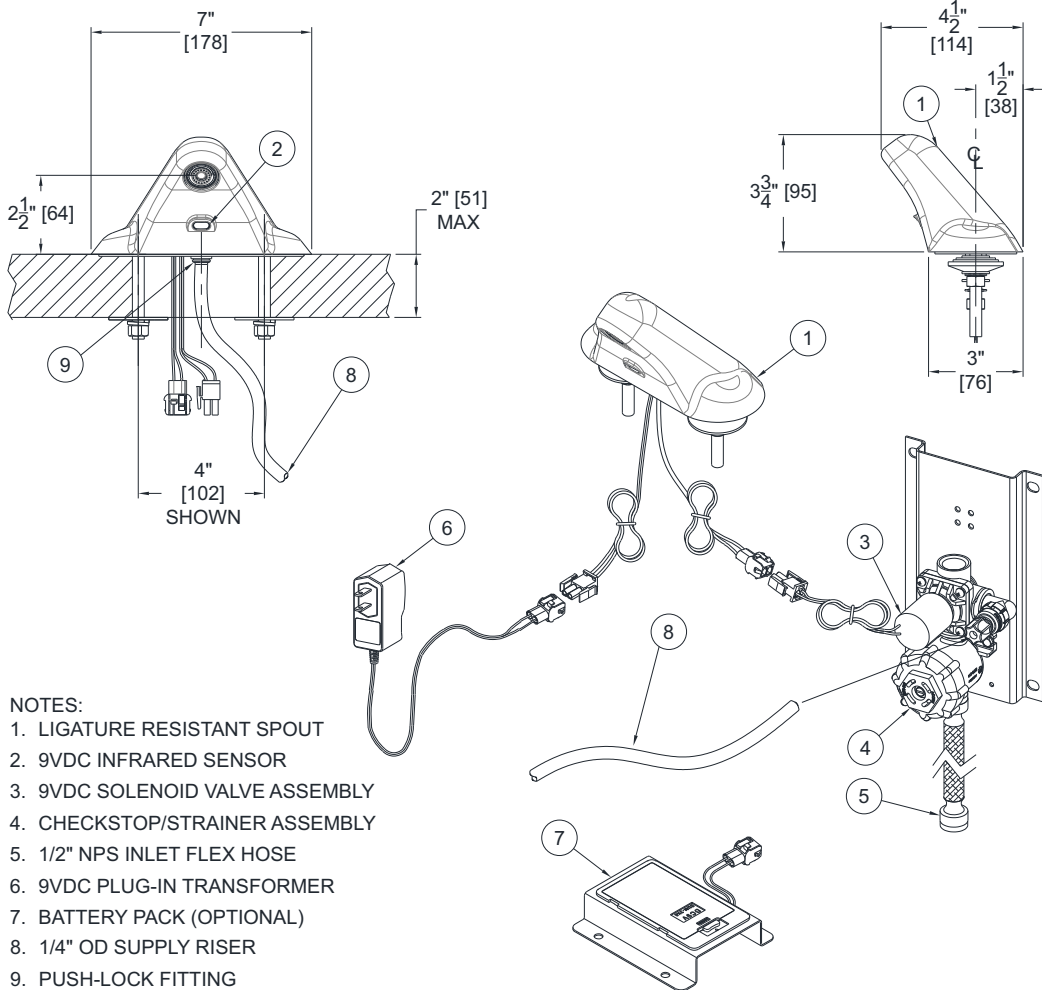
MODEL NUMBER AND OPTIONS SELECTION:

BASE MODEL NUMBER

- WH3375-SO Ligature Resistant Sensor Activated Spout w/ Electronic Valve, Single Temp
- WH3375-SO-BAT Ligature Resistant Battery Powered, Sensor Activated Spout w/ Electronic Valve, Single Temp

OPTIONS:

- WHST70-12 1/2" NPT ASSE 1070 Compliant Hot & Cold, Temperature / Pressure Balancing Mixing Valve
- WHST70-38 3/8" COMP. ASSE 1070 Compliant Hot & Cold, Temperature / Pressure Balancing Mixing Valve



NOTES:

1. LIGATURE RESISTANT SPOUT
2. 9VDC INFRARED SENSOR
3. 9VDC SOLENOID VALVE ASSEMBLY
4. CHECKSTOP/STRAINER ASSEMBLY
5. 1/2" NPS INLET FLEX HOSE
6. 9VDC PLUG-IN TRANSFORMER
7. BATTERY PACK (OPTIONAL)
8. 1/4" OD SUPPLY RISER
9. PUSH-LOCK FITTING

**OPTIONAL -BAT BATTERY
 OPERATION DETAIL**

⚠ WARNING: Cancer and Reproductive Harm - www.P65Warnings.ca.gov

SELECTION SUMMARY & APPROVAL FOR MANUFACTURING

Model Number & Options _____ Quantity _____
 Company _____ Date _____
 Contact _____ Title _____
 Approval for Manufacturing/Signature _____

All dimensions are nominal and subject to manufacturer's change without notice. Whitehall assumes no responsibility for use of void or superseded data © Whitehall Manufacturing, Member of Morris Group International. Please visit www.whitehallmfg.com for most current specifications.