



**Whitehall Manufacturing®**  
 Manufacturer of Healthcare and Rehabilitation Products since 1946

**BestCare®**  
 Patients, Not Prisoners®

**Healthcare and Ligature  
 Resistant Products**

Division of  
 Acorn Engineering Company®



A MEMBER OF



## **Whitehall Ligature Resistant, Dual Temperature, Piezo Button Faucet, 4" Centerset**

Model WH3378-HC-PPZ



WH3378-HC-PPZ

### **Ligature Resistant, Dual Temperature, Piezo Button Faucet, 4" Centerset**

**Ligature Resistant, Dual Temperature, Piezo Button Faucet** is recommended for patient bathrooms and facilities where ligature risk is a concern. The Faucet is designed to be retrofitted to existing 4" centerset lavatory decks with 3-hole openings 1" to 1-1/2" diameter. Or can be provided with BestCare ligature resistant lavatories. The Faucet includes Dual Temperature Piezo Buttons. Provided with a 0.5 GPM multi-stream laminar nozzle and a chrome plated cast bronze Faucet body.

**Valve** 9VDC dual temp solenoid operated ADA compliant requiring less than 5lbs of force to operate. Valve is metering with a valve timing range of 0-60 seconds valve can be remotely located up to 10 feet. A 120VAC/9VDC plug-in transformer or a 6 AAA Battery Pack provided. Batteries not included.

**Spray nozzle** is non-splashing, non-aerated multi-stream laminar with a 0.5 GPM flow.



Please visit [www.whitehallmfg.com](http://www.whitehallmfg.com) for most current specifications.



Complies with the following standards:



Federal Public Law 111-380 (No Lead)

**Optional** WHST70-12 Mixing valve option is ASSE 1070 compliant and delivers tempered water flow by compensating for pressure and temperature fluctuations. Factory set to 105°F (41°C) and field adjustable. Includes strainers and integral checks. Operating range is 30 to 100 PSI.

**Optional -LFK Laminar Flow Restrictor Kit** to increase flow rate of Faucet. Kit includes Spanner Wrench to remove existing Nozzle and three different Laminar Flow Restrictor replacements providing 1.2 GPM, 1.5 GPM, and 1.75 GPM.

**Fixture is ADA Compliant.** Unit conforms with ADA requirements for accessibility when correctly installed.

### **GUIDE SPECIFICATION**

Provide and install ligature resistant Faucet (specify model number and options) Faucet shall be dual temperature (cold and tempered) with Piezo Button operation. Chrome plated bronze body with a 0.5 GPM multi stream laminar flow nozzle.



**MODEL NUMBER AND OPTIONS SELECTION:**

**BASE MODEL NUMBER**

(Use The Following For Basins Manufactured By Others)

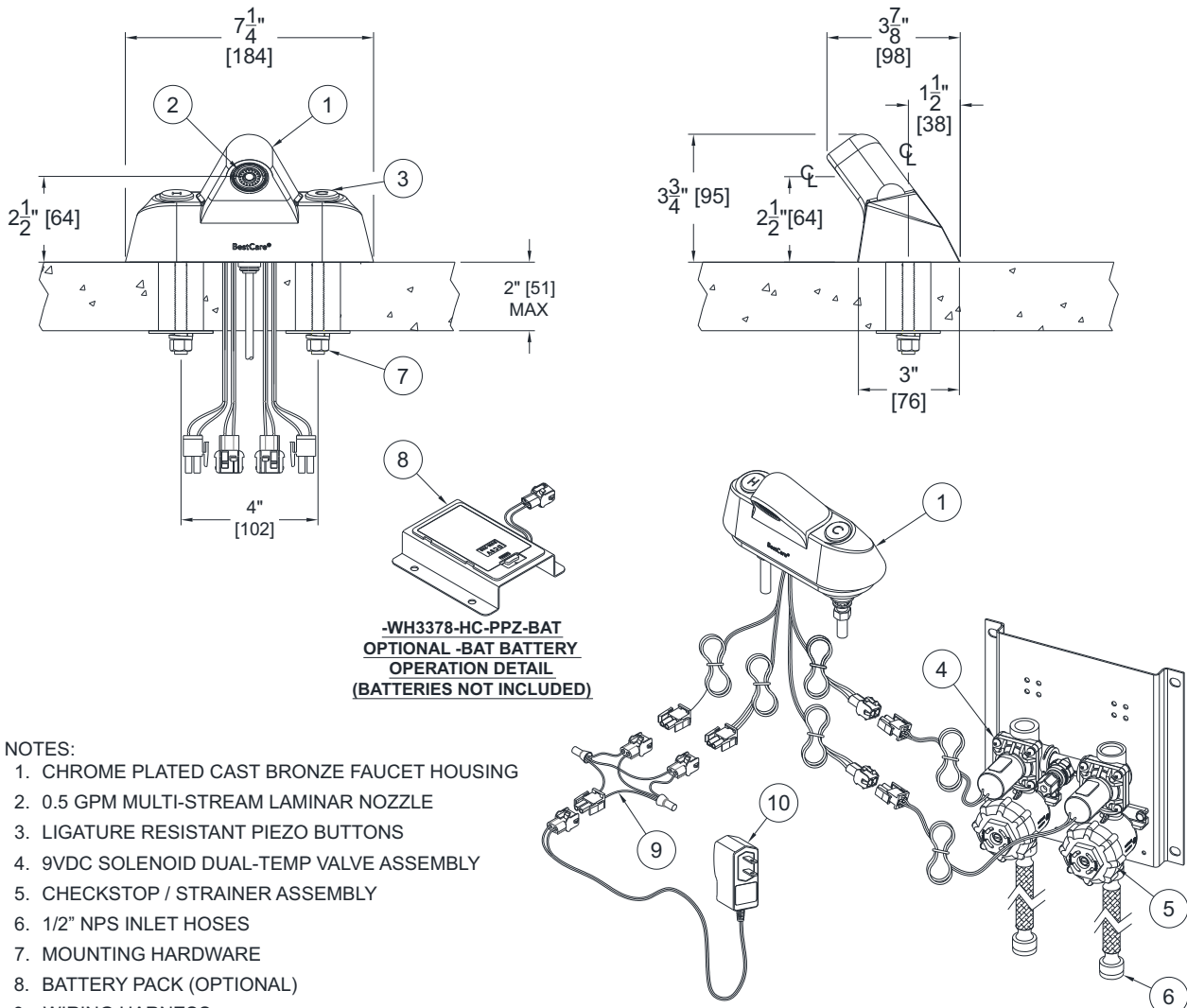
- WH3378-HC-PPZ Pushbutton Activated Spout w/ Piezo Buttons, Dual-Temperature Faucet
- WH3378-HC-PPZ-BAT Pushbutton Activated Spout w/ Piezo Buttons, Dual-Temperature Faucet, Battery Operated (Batteries not included)

(Use the Following For Whitehall BestCare® Basins)

- WH3378L-HC-PPZ Pushbutton Activated Spout w/ Piezo Buttons, Dual-Temperature Faucet
- WH3378L-HC-PPZ-BAT Pushbutton Activated Spout w/ Piezo Buttons, Dual-Temperature Faucet, Battery Operated (Batteries not included)

**ACCESSORIES:**

- WHST70-12 1/2" NPT ASSE 1070 Compliant Hot & Cold, Temperature / Pressure Balancing Mixing Valve
- LFK Laminar Flow Restrictor Kit (Provides 1.2 GPM, 1.5 GPM, and 1.75 GPM Flow Controls)



**-WH3378-HC-PPZ-BAT  
 OPTIONAL -BAT BATTERY  
 OPERATION DETAIL  
 (BATTERIES NOT INCLUDED)**

**NOTES:**

1. CHROME PLATED CAST BRONZE FAUCET HOUSING
2. 0.5 GPM MULTI-STREAM LAMINAR NOZZLE
3. LIGATURE RESISTANT PIEZO BUTTONS
4. 9VDC SOLENOID DUAL-TEMP VALVE ASSEMBLY
5. CHECKSTOP / STRAINER ASSEMBLY
6. 1/2" NPS INLET HOSES
7. MOUNTING HARDWARE
8. BATTERY PACK (OPTIONAL)
9. WIRING HARNESS
10. 9VDC PLUG-IN TRANSFORMER

**⚠ WARNING: Cancer and Reproductive Harm - www.P65Warnings.ca.gov**

**SELECTION SUMMARY & APPROVAL FOR MANUFACTURING**

Model Number & Options \_\_\_\_\_ Quantity \_\_\_\_\_  
 Company \_\_\_\_\_ Date \_\_\_\_\_  
 Contact \_\_\_\_\_ Title \_\_\_\_\_  
 Approval for Manufacturing/Signature \_\_\_\_\_

All dimensions are nominal and subject to manufacturer's change without notice. Whitehall assumes no responsibility for use of void or superseded data © Whitehall Manufacturing, Member of Morris Group International. Please visit [www.whitehallmfg.com](http://www.whitehallmfg.com) for most current specifications.