



Whitehall Manufacturing®
 Manufacturer of Healthcare and Rehabilitation Products since 1946

BestCare®
 Patients, Not Prisoners®

**Healthcare and Ligature
 Resistant Products**

Division of
 Acorn Engineering Company®



A MEMBER OF



Whitehall Ligature Resistant, Dual Temperature, Pushbutton Faucet, 4" Centerset

Model WH3378-HC



WH3378-HC

Ligature Resistant, Dual Temperature, Pushbutton Faucet, 4" Centerset

Ligature Resistant, Dual Temperature, Pushbutton Faucet is recommended for patient bathrooms and facilities where ligature risk is a concern. The Faucet is designed to be retrofitted to existing 4" centerset lavatory decks with 3-hole openings of 1" to 1-1/2" diameter. Or can be provided with BestCare ligature resistant lavatories. The Faucet includes dual pneumatic pushbuttons for tempered and cold supplies. Provided with a 0.5 GPM multi-stream laminar nozzle and a chrome plated cast bronze Faucet body.

Valve is Air-controlled dual temperature pneumatically operated, is ADA compliant and requires less than 5lbs of force to operate. Valve is metering with a Valve timing range of 0-60 seconds Valve can be remotely located up to 10 feet from the operating pushbutton.

Spray nozzle is non-splashing, non-aerated multi-stream laminar with a 0.5 GPM flow.

Optional WHST70-12 Mixing valve option is ASSE 1070 compliant and delivers tempered water flow by compensating for pressure and temperature fluctuations. Factory set to 105°F (41°C) and field adjustable. Includes Strainers and Integral Checks. Operating range is 30 to 100 PSI.

Optional -LFK Laminar Flow Restrictor Kit to increase flow rate of Faucet. Kit includes Spanner Wrench to remove existing Nozzle and three different Laminar Flow Restrictor replacements providing 1.2 GPM, 1.5 GPM, and 1.75 GPM.

Fixture is ADA Compliant. Unit conforms with ADA requirements for accessibility when correctly installed. Compliance is subject to the interpretation and requirements of the local code authority.

GUIDE SPECIFICATION

Provide and install Ligature Resistant Faucet (specify model number and options) Faucet shall be dual temperature (hot and cold) with Hemispherical pneumatic pushbutton operation. Chrome plated bronze body with a 0.5 GPM multi stream laminar flow Nozzle.

Please visit www.whitehallmfg.com for most current specifications.



Complies with the following standards:



Federal Public Law 111-380 (No Lead)

**CONTROLS
 INSIDE**



MODEL NUMBER AND OPTIONS SELECTION:

BASE MODEL NUMBER

(Use The Following For Basins Manufactured By Others)

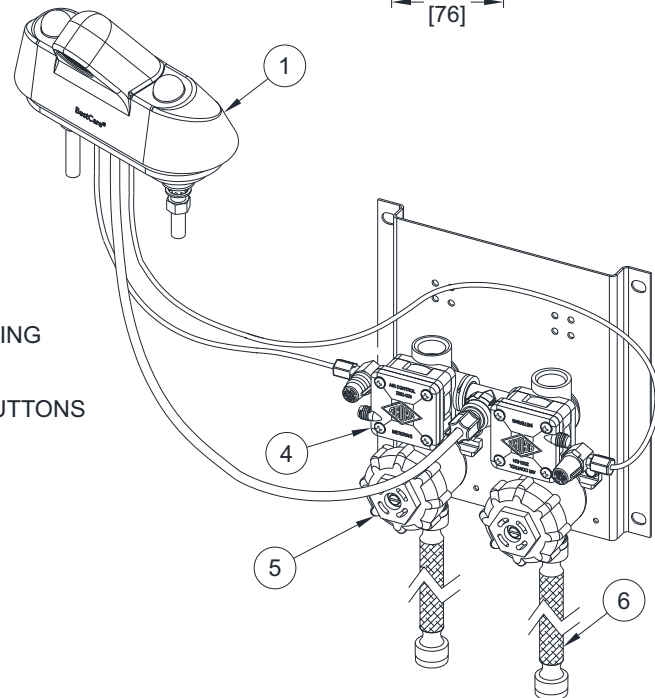
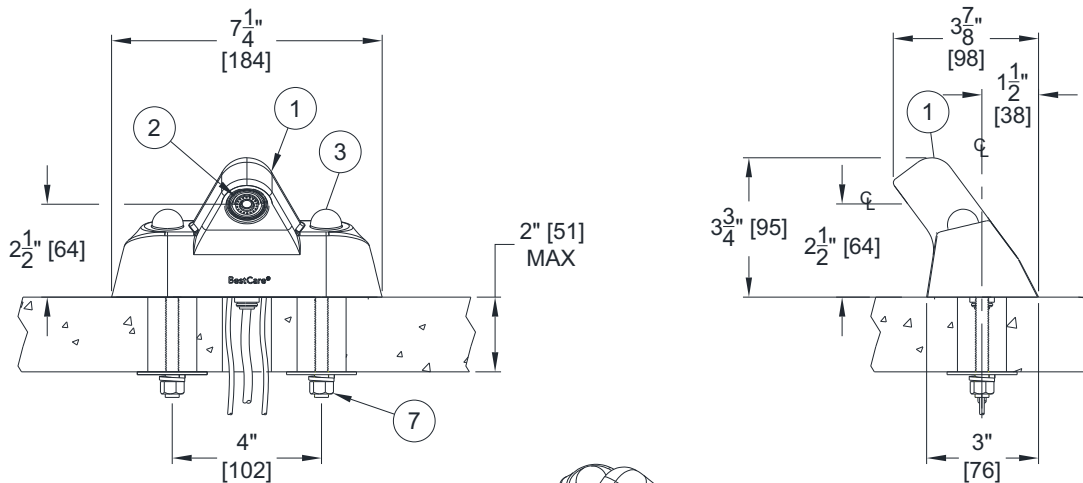
WH3378-HC Ligature Resistant, Pushbutton Activated Spout w/ Pneumatic Buttons, Dual-Temperature Faucet

(Use the Following For Whitehall BestCare® Basins)

WH3378L-HC Ligature Resistant, Pushbutton Activated Spout w/ Pneumatic Buttons. Dual-Temperature Faucet

ACCESSORIES:

-WHST70-12 1/2" NPT ASSE 1070 Compliant Hot & Cold, Temperature / Pressure Balancing Mixing Valve
 -LFK Laminar Flow Restrictor Kit (Provides 1.2 GPM, 1.5 GPM, and 1.75 GPM Flow Controls)



NOTES:

1. CHROME PLATED CAST BRONZE FAUCET HOUSING
2. 0.5 GPM MULTI-STREAM LAMINAR NOZZLE
3. LIGATURE RESISTANT HEMISPHERICAL PUSHBUTTONS
4. AIR-CONTROL DUAL TEMP VALVE ASSEMBLY
5. CHECKSTOP / STRAINER ASSEMBLY
6. 1/2" NPS INLET HOSES
7. MOUNTING HARDWARE

⚠ WARNING: Cancer and Reproductive Harm - www.P65Warnings.ca.gov

SELECTION SUMMARY & APPROVAL FOR MANUFACTURING

Model Number & Options _____ Quantity _____
 Company _____ Date _____
 Contact _____ Title _____
 Approval for Manufacturing/Signature _____

All dimensions are nominal and subject to manufacturer's change without notice. Whitehall assumes no responsibility for use of void or superseded data © Whitehall Manufacturing, Member of Morris Group International. Please visit www.whitehallmfg.com for most current specifications.