



Whitehall Manufacturing®
 Manufacturer of Healthcare and Rehabilitation Products since 1946

BestCare®
 Patients, Not Prisoners®

**Healthcare and Ligature
 Resistant Products**

Division of
 Acorn Engineering Company®



A MEMBER OF



Whitehall Ligature Resistant Stainless Steel Basin Powder Coated White ADA Compliant

Model WH3740



WH3740-WH3375-SO

Fixture May Show Some Available Options

Ligature Resistant Stainless Steel™ Basin

Ligature Resistant Stainless Steel Basin is engineered to combine the look and feel of commercial grade designer basins and countertops with durability and economy in mind. Each standard height Washbasin complies with ANSI, UFAS, and ADA requirements. Compliance is subject to the interpretation and requirements of the local code authority.

Countertop and Basin are constructed of 16 gage stainless steel with exposed surfaces powder coated white. Basin includes ligature resistant side splashes, overflow, grid strainer, waste piping and 1-1/2" P-Trap.

Optional Ligature Resistant Faucet (WH3375-SO shown) is available. **See Individual BestCare Specification Sheets for 4" Centerset Faucet.**

Optional Mixing Valve delivers tempered water flow by compensating for pressure and temperature fluctuations and is ASSE 1070 compliant. Valve is to be field set to 105° Fahrenheit and includes strainers and integral checks. Operating range is 30 to 100PSI.

Enclosure conceals P-trap and optional valve assembly and is fabricated from 18 gage, type 304 stainless steel, powder coated white.

GUIDE SPECIFICATION

Ligature Resistant stainless steel Washbasin. Unit with 34" standard rim height to conform with ANSI, UFAS and ADA Accessibility Standards. Provide integral "D" Shaped basin with an integral, rear overflow. Basin, countertop, backsplash and sidesplash to be constructed of type 304 stainless steel. Washbasin shall conform to ANSI Z124.3 and ANSI Z124.6. Trap enclosure to be constructed of 18 gage, type 304 stainless steel and is powder coated white.

Please visit www.whitehallmfg.com for most current specifications.



Member of
 U.S. Green
 Building
 Council



Recyclable
 Product



Water
 Conserving
 Product

Complies
 with the
 following
 standards:



Federal
 Public Law
 111-380
 (No Lead)



Whitehall Mfg. • P.O. Box 3527 • City of Industry, CA 91744 • (800) 782-7706 • (626) 968-6681 • Fax (626) 855-4862

WH3740

Revised: 02/24/2020



MODEL NUMBER AND OPTIONS SELECTION:

BASE MODEL NUMBER

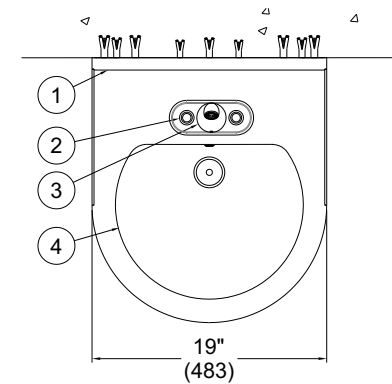
WH3740 Ligature Resistant Stainless Steel Washbasin

VALVE SELECTION

See Individual BestCare Specification Sheets for 4" Centerset Faucet

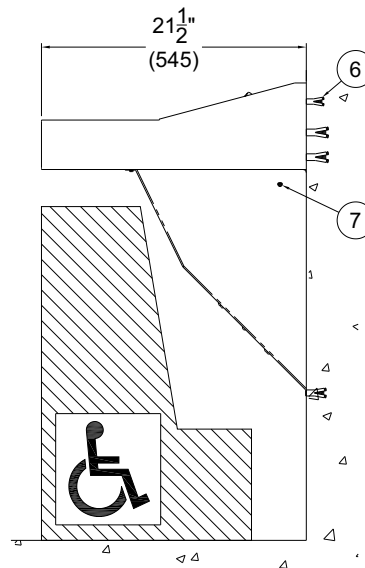
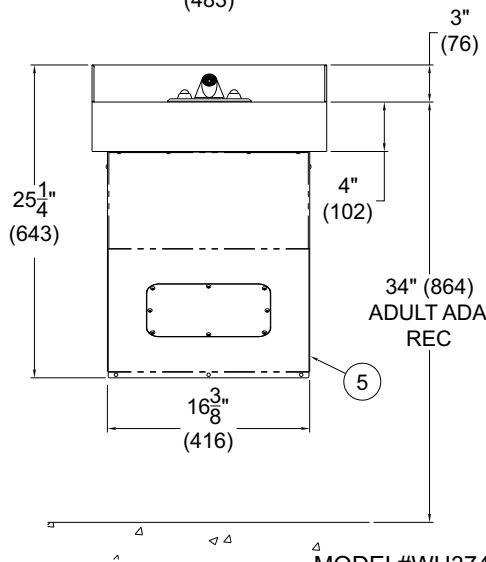
PRODUCT OPTIONS

-MXTP Temperature-Pressure Balancing Mixing Valve (ASSE 1070 Compliant)



NOTES:

1. BACK/SIDE SPLASH
2. HEMISPHERICAL PUSHBUTTON
3. CONICAL SPRAYHEAD
4. D-SHAPE BOWL
5. ANTI-LIGATURE TRAP COVER
6. WALL ANCHORING HARDWARE (BY OTHERS)
7. TAMPER RESISTANT SCREWS



MODEL#WH3740-WH3377L

DISCLAIMER:

This product is designed to decrease the probability that it may be utilized as an apparatus for ligature. It is not a replacement for professionals who are trained in the proper evaluation, management and supervision of persons at risk of suicide.

WARNING: Cancer and Reproductive Harm - www.P65Warnings.ca.gov

SELECTION SUMMARY & APPROVAL FOR MANUFACTURING

Model Number & Options _____ Quantity _____
 Company _____ Date _____
 Contact _____ Title _____
 Approval for Manufacturing/Signature _____

All dimensions are nominal and subject to manufacturer's change without notice. Whitehall assumes no responsibility for use of void or superseded data © Whitehall Manufacturing, Member of Morris Group International. Please visit www.whitehallmfg.com for most current specifications.