



Whitehall Manufacturing®
 Manufacturer of Healthcare and Rehabilitation Products since 1946

BestCare®
 Patients, Not Prisoners®

**Healthcare and Ligature
 Resistant Products**

Division of
 Acorn Engineering Company®



A MEMBER OF



Whitehall Ligature Resistant ADA Compliant Bariatric Stainless Steel Basin Powder Coated White

Model WH3740BAR



WH3740BAR-WH3377

Fixture May Show Some Available Options

Ligature Resistant Bariatric Stainless Steel Basin

Ligature Resistant Bariatric Stainless Steel Basin is engineered to combine the look and feel of commercial grade designer basins and countertops with durability and economy in mind. **Fixture is rated at 1,000 lbs when used with an appropriate system** (Jay R. Smith model 0848-M31 is optionally available). Each standard height Washbasin complies with ANSI, UFAS, and ADA requirements. Compliance is subject to the interpretation and requirements of the local code authority.

Countertop and Basin are constructed of 16 gage stainless steel with exposed surfaces powder coated white with a 14 gage stainless steel sub-frame. Basin includes ligature resistant side splashes, overflow, grid strainer, waste piping and 1-1/2" P-Trap. Standard unit includes Deck punching for 4" Centerset Faucet and optionally available punched for 8" Centerset Faucet; Punching consists of (3) 1-5/16" Dia. Holes.

Enclosure conceals P-trap and optional valve assembly and is fabricated from 18 gage, type 304 stainless steel, powder coated white.

Optional Ligature Resistant Faucet (WH3377 shown) is available. **See Individual BestCare Specification Sheets for 4" Centerset Faucet.**

Optional Mixing Valve WHST70-12 delivers tempered water flow by compensating for pressure and temperature fluctuations and is ASSE 1070 compliant. Valve is to be field set to 105° Fahrenheit and includes strainers and integral checks. Operating range is 30 to 100 PSI.

Optional -SS Stainless Steel Finish provides a #4 satin stainless steel finish to all exposed surfaces in lieu of the white powder coat. **GUIDE SPECIFICATION**

Ligature Resistant Bariatric Stainless Steel Washbasin. Unit with 34" standard rim height to conform with ANSI, UFAS and ADA Accessibility Standards. Provide integral "D" Shaped basin with an integral, rear overflow. Basin, countertop, backsplash and sidesplash to be constructed of type 304 stainless steel. Washbasin shall conform to ANSI Z124.3 and ANSI Z124.6. Trap cover to be constructed of 18 gage, type 304 stainless steel and powder coated white.

Please visit www.whitehallmfg.com
 for most current specifications.



Whitehall Mfg. • P.O. Box 3527 • City of Industry, CA 91744 • (800) 782-7706 • (626) 968-6681

WH3740BAR

Revised: 04/12/2024



MODEL NUMBER AND OPTIONS SELECTION:

BASE MODEL NUMBER

- WH3740BAR Ligature Resistant Bariatric Stn Stl Washbasin (Punched for 4" Centerset Faucet, Specified Separately)
- WH3740BAR-H38 Ligature Resistant Bariatric Stn Stl Washbasin (Punched for 8" Centerset Faucet, Specified Separately)
- WH3740BAR-SS Ligature Resistant Bariatric Washbasin-#4 Stainless Steel Finish (Punched for 4" Centerset Faucet)
- WH3740BAR-H38-SS Ligature Resistant Bariatric Washbasin-#4 Stainless Steel Finish (Punched for 8" Centerset Faucet)

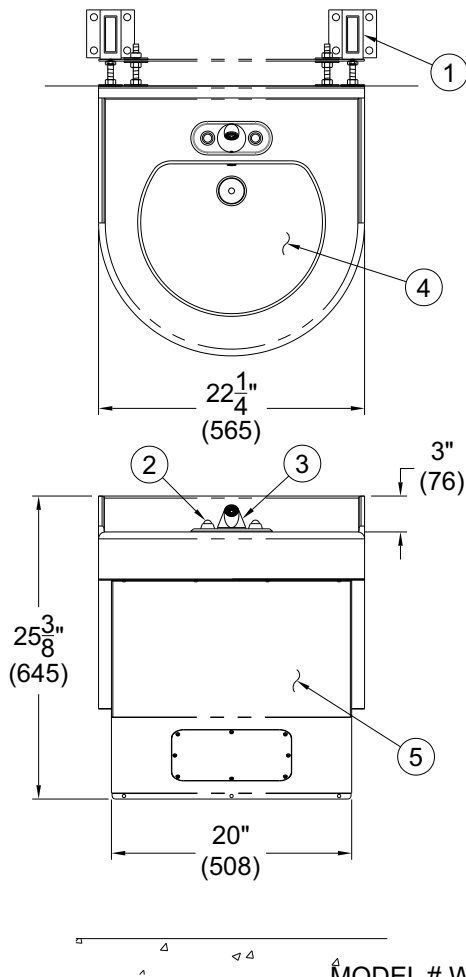
VALVE SELECTION

See Individual BestCare Specification Sheets for 4" Centerset Faucet

(Refer to <https://www.whitehallmfg.com/faucets>)

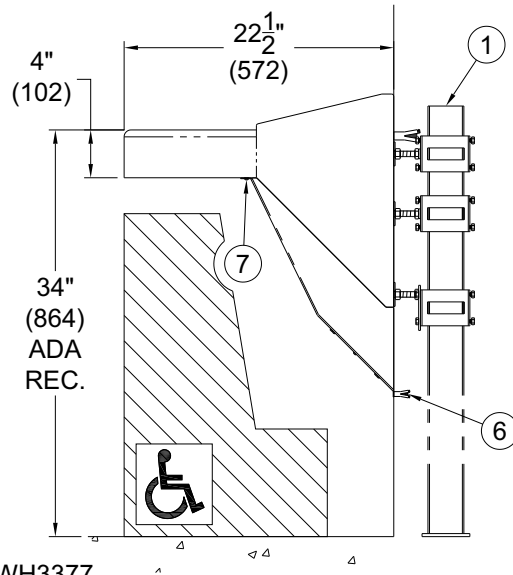
PRODUCT OPTIONS

- MC Mounting Carrier (Bariatric)
- WHST70-12 Tempering Valve With Integral Mounting Feet Brass Body With 1/2" NPT Connections



NOTES:

1. OPTIONAL -MC BARIATRIC MOUNTING CARRIER, SHOWN FOR REFERENCE ONLY
2. HEMISPHERICAL PUSHBUTTON
3. CONICAL SPRAYHEAD
4. D-SHAPE BOWL
5. ANTI-LIGATURE TRAP COVER
6. WALL ANCHORING HARDWARE (BY OTHERS)
7. TAMPER RESISTANT SCREWS



MODEL # WH3740BAR-WH3377

DISCLAIMER:

This product is designed to decrease the probability that it may be utilized as an apparatus for ligature. It is not a replacement for professionals who are trained in the proper evaluation, management and supervision of persons at risk of suicide.

WARNING: Cancer and Reproductive Harm - www.P65Warnings.ca.gov

SELECTION SUMMARY & APPROVAL FOR MANUFACTURING

Model Number & Options _____ Quantity _____
 Company _____ Date _____
 Contact _____ Title _____
 Approval for Manufacturing/Signature _____

All dimensions are nominal and subject to manufacturer's change without notice. Whitehall assumes no responsibility for use of void or superseded data © Whitehall Manufacturing, Member of Morris Group International. Please visit www.whitehallmfg.com for most current specifications.