



**Whitehall Manufacturing®**  
 Manufacturer of Healthcare and Rehabilitation Products since 1946

**BestCare®**  
 Patients, Not Prisoners®

**Healthcare and Ligature  
 Resistant Products**

Division of  
 Acorn Engineering Company®



A MEMBER OF



## Whitehall Ligature Resistant Corterra® Corner Basin ADA Compliant

Model WH3776L  
 WH3776R



• Patented D840,523

WH3776L-WH3375-SO

Fixture May Show Some Available Options

**Ligature Resistant Corterra® Corner Basin** is engineered to combine the look and feel of commercial grade designer basins and countertops with durability and economy in mind. Each standard height Washbasin complies with ANSI, UFAS, and ADA requirements. Compliance is subject to the interpretation and requirements of the local code authority.

**Countertop and Basin** color furnished is Blanco Matte (White). Basin includes ligature resistant side splashes, overflow, grid strainer, waste piping and 1-1/2" P-Trap.

**Optional Ligature Resistant Faucet** (WH3375-SO shown) is available. See **Individual BestCare Specification Sheets for 4" Centerset Faucet.**

**Optional Mixing Valve WHST70-12** delivers tempered water flow by compensating for pressure and temperature fluctuations and is ASSE 1070 compliant. Valve is to be field set to 105° Fahrenheit and includes strainers and integral checks. Operating range is 30 PSI to 100 PSI.

**Enclosure** conceals P-trap and optional valve assembly and is fabricated from 18 gage, type 304 stainless steel includes an access panel and is powder coated white.

### GUIDE SPECIFICATION

Ligature Resistant Corterra® Washbasin. Unit with 34" standard rim height to conform with ANSI, UFAS and ADA Accessibility Standards. Provide integral "D" Shaped basin with an integral, rear overflow. Basin, countertop, backsplash and sidesplash to be constructed of Corterra® solid surface polymer resin and is Greenguard Gold listed. P-Trap enclosure to be constructed of heavy gage, type 304 stainless steel and powder coated white.

Please visit [www.whitehallmfg.com](http://www.whitehallmfg.com) for most current specifications.



Whitehall Mfg. • P.O. Box 3527 • City of Industry, CA 91744 • (800) 782-7706 • (626) 968-6681

**WH3776**

Revised: 09/01/2023



**MODEL NUMBER AND OPTIONS SELECTION:**

**BASE MODEL NUMBER**

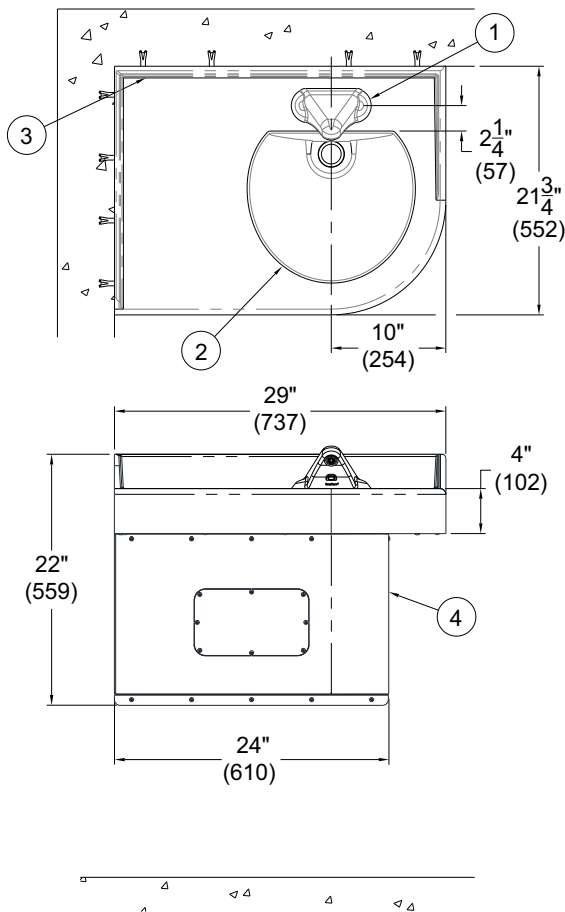
- WH3776L Ligature Resistant Corterra® Corner Basin, Left Corner
- WH3776R Ligature Resistant Corterra® Corner Basin, Right Corner

**VALVE SELECTION**

See Individual BestCare Specification Sheets for 4" Centerset Faucet  
 (Refer to <https://www.whitehallmfg.com/faucets> )

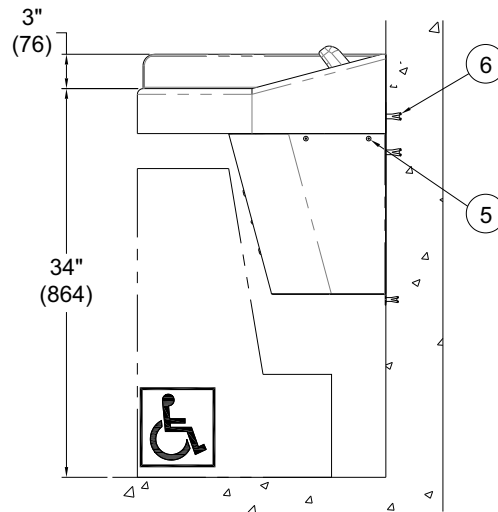
**PRODUCT OPTIONS**

- MC Mounting Carrier
- WHST70-12 Tempering Valve With Integral Mounting Feet Brass Body With 1/2" NPT Connections
- OCC Optional Corterra® Color - Specify \_\_\_\_\_  
 (Refer to <https://www.whitehallmfg.com/corterra-solid-surface> for available colors)



**NOTES:**

1. Ligature Resistant Sensor Activated Faucet (Optional)
2. D-Shaped Bowl
3. Back/Side Splash
4. Ligature Resistant Bottom Enclosure With Access Panel
5. Tamper Resistant Screws
6. Wall Anchoring Hardware (By Others)



MODEL# WH3776L-WH3375-SO

**DISCLAIMER:**

This product is designed to decrease the probability that it may be utilized as an apparatus for ligature. It is not a replacement for professionals who are trained in the proper evaluation, management and supervision of persons at risk of suicide.

**WARNING:** Cancer and Reproductive Harm - [www.P65Warnings.ca.gov](http://www.P65Warnings.ca.gov)

**SELECTION SUMMARY & APPROVAL FOR MANUFACTURING**

Model Number & Options \_\_\_\_\_ Quantity \_\_\_\_\_  
 Company \_\_\_\_\_ Date \_\_\_\_\_  
 Contact \_\_\_\_\_ Title \_\_\_\_\_  
 Approval for Manufacturing/Signature \_\_\_\_\_

All dimensions are nominal and subject to manufacturer's change without notice. Whitehall assumes no responsibility for use of void or superseded data © Whitehall Manufacturing, Member of Morris Group International. Please visit [www.whitehallmfg.com](http://www.whitehallmfg.com) for most current specifications.