



Whitehall Manufacturing®
 Manufacturer of Healthcare and Rehabilitation Products since 1946

BestCare®
 Patients, Not Prisoners®

**Healthcare and Ligature
 Resistant Products**

Division of
 Acorn Engineering Company®



A MEMBER OF



Whitehall Ligature Resistant Corterra® Offset Vanity ADA Compliant

Model WH3778L
 WH3778R



• Patent Pending

WH3778L-WH3375-SO

Fixture May Show Some Available Options

Ligature Resistant Corterra® Offset Vanity is engineered to combine the look and feel of commercial grade designer Basins and Countertops with durability and economy in mind. Each standard height Washbasin complies with ANSI, UFAS, and ADA requirements. Compliance is subject to the interpretation and requirements of the local code authority.

Countertop and Basin are constructed of Corterra® Solid Surface Polymer Resin and conforms with ANSI Z124.3 and ANSI Z124.6 and is ANSI/ICPA SS-1 compliant. Color furnished is Blanco Matte (White). Basin includes Ligature Resistant Sidesplashes, Overflow, Grid Strainer, Waste Piping and 1-1/2" P-Trap.

Optional Ligature Resistant Faucet (WH3375-SO shown) is available. See **Individual BestCare Specification Sheets for 4" Centerset Faucet.**

Optional Mixing Valve WHST70-12 delivers tempered water flow by compensating for pressure and temperature fluctuations and is ASSE 1070 compliant. Valve is to be field set to 105° Fahrenheit. Operating range is 30 PSI to 100 PSI.

Enclosure conceals P-Trap and optional valve assembly and is fabricated from 18 gage, type 304 stainless steel includes an Access Panel and is Powder Coated White.

GUIDE SPECIFICATION

Ligature Resistant Corterra® Washbasin. Unit with 34" standard rim height to conform with ANSI, UFAS and ADA Accessibility Standards. Provide integral "D" Shaped Basin with an Integral, Rear Overflow. Basin, Countertop, Backsplash and Sidesplashes to be constructed of Corterra® Solid Surface Polymer Resin and is Greenguard Gold listed. Washbasin shall conform to ANSI Z124.3 and ANSI Z124.6. P-Trap Enclosure to be constructed of heavy gage, type 304 stainless steel and powder coated white.

Please visit www.whitehallmfg.com for most current specifications.



Whitehall Mfg. • P.O. Box 3527 • City of Industry, CA 91744 • (800) 782-7706 • (626) 968-6681

WH3778

Revised: 09/01/2023



MODEL NUMBER AND OPTIONS SELECTION:

BASE MODEL NUMBER

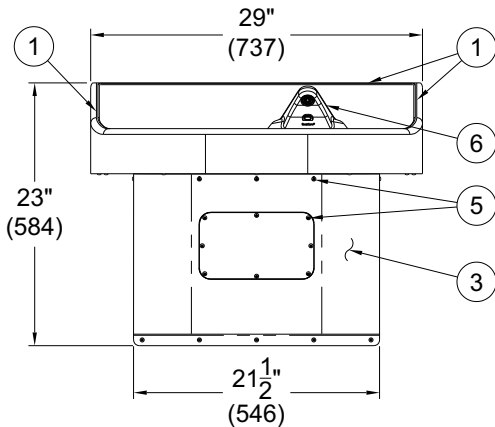
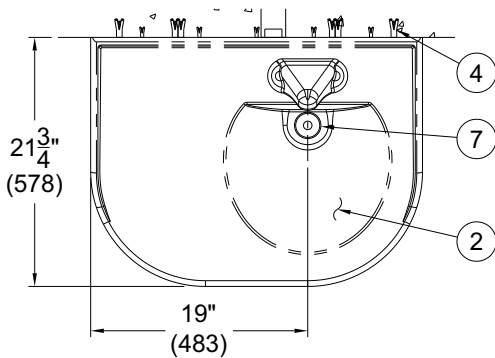
- WH3778L Ligature Resistant Corterra® Offset Vanity Left Offset Basin
- WH3778R Ligature Resistant Corterra® Offset Vanity Right Offset Basin

VALVE SELECTION

See Individual BestCare Specification Sheets for 4" Centerset Faucet
 (Refer to <https://www.whitehallmfg.com/faucets>)

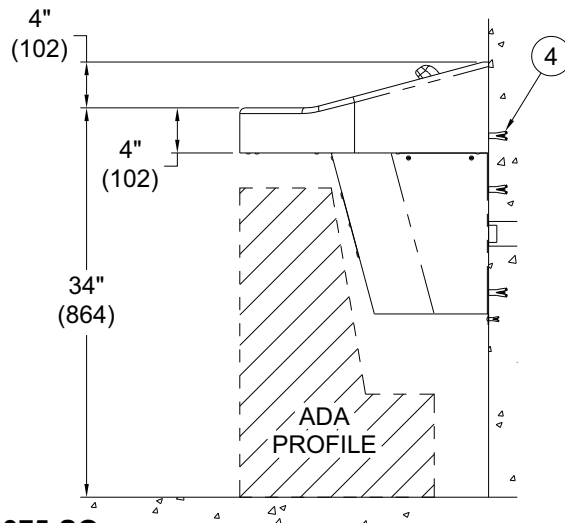
PRODUCT OPTIONS

- MC Mounting Carrier
- WHST70-12 Tempering Valve With Integral Mounting Feet Brass Body With 1/2" NPT Connections
- OCC Optional Corterra® Color - Specify _____
 (Refer to <https://www.whitehallmfg.com/corterra-solid-surface> for available colors)



NOTES:

1. BACK/SIDE SPLASH
2. INTEGRAL D-SHAPE BOWL
3. P-TRAP ENCLOSURE w/ ACCESS PANEL
4. WALL ANCHORING HARDWARE (BY OTHERS)
5. TAMPER RESISTANT SCREWS
6. OPTIONAL WH3375-SO SHOWN
7. LIGATURE RESISTANT STRAINER



WH3778R-WH3375-SO

DISCLAIMER:

This product is designed to decrease the probability that it may be utilized as an apparatus for ligature. It is not a replacement for professionals who are trained in the proper evaluation, management and supervision of persons at risk of suicide.

WARNING: Cancer and Reproductive Harm - www.P65Warnings.ca.gov

SELECTION SUMMARY & APPROVAL FOR MANUFACTURING

Model Number & Options _____ Quantity _____
 Company _____ Date _____
 Contact _____ Title _____
 Approval for Manufacturing/Signature _____

All dimensions are nominal and subject to manufacturer's change without notice. Whitehall assumes no responsibility for use of void or superseded data © Whitehall Manufacturing, Member of Morris Group International. Please visit www.whitehallmfg.com for most current specifications.