



**Whitehall Manufacturing®**  
 Manufacturer of Healthcare and Rehabilitation Products since 1946

**BestCare®**  
 Patients, Not Prisoners®

**Healthcare and Ligature  
 Resistant Products**

Division of  
 Acorn Engineering Company®

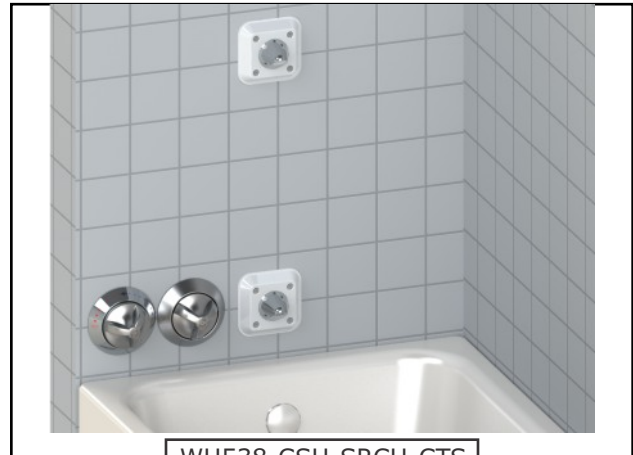


A MEMBER OF



## Whitehall Ligature Resistant Shower and Tub Spout

Model WH538-CSH-SRCH-CTS  
 Model WH538-CSH-SRCH-CTS-WH1832-PF



WH538-CSH-SRCH-CTS

US PATENTS - US 10,474,170 B2 & US D697,591

### Ligature Resistant Shower

**Shower and Tub Spout** components are arranged to be installed onto finished wall and serviced from the front.

**Shower and Tub Spout** are chrome plated brass with a 14 gage type 304 stainless steel white powder coated mounting flange which provides a vandal and ligature resistant showerhead with a conical shape. Spray pattern is a non-adjustable multi-stream style and provides a 1.5 GPM flow rate.

**The T/P Mixing Valve** automatically mixes hot and cold water to deliver blended water within a specific range. Mixing Valve meets the most stringent performance criteria for temperature and pressure changes, defined by ASSE 1016. Valve conforms with lead free requirements of NSF61, Section 9, 1997.

**Stainless Steel Recessed Soap Dish for install into wall** is optionally available. Refer to WH1832-PF Series Submittal for additional Technical Data.

### GUIDE SPECIFICATION

Provide and install a Best-Care™ Ligature Resistant Shower and Tub Spout. Exposed trim shall be chrome plated. Fixture shall be furnished with a Conical showerhead, a Conical Tub Spout, an ASSE 1016 compliant control valve and diverter valve with Patented ADA Compliant Ligature Resistant Tri-Lever Handles.

Please visit [www.whitehallmfg.com](http://www.whitehallmfg.com) for most current specifications.



Complies with the following standards:



ASSE 1016  
 CSA B125.16



Whitehall Mfg. • P.O. Box 3527 • City of Industry, CA 91744 • (800) 782-7706 • (626) 968-6681

**WH538-CSH-SRCH-CTS**

Revised: 01/05/2024



**MODEL NUMBER AND OPTIONS SELECTION:**

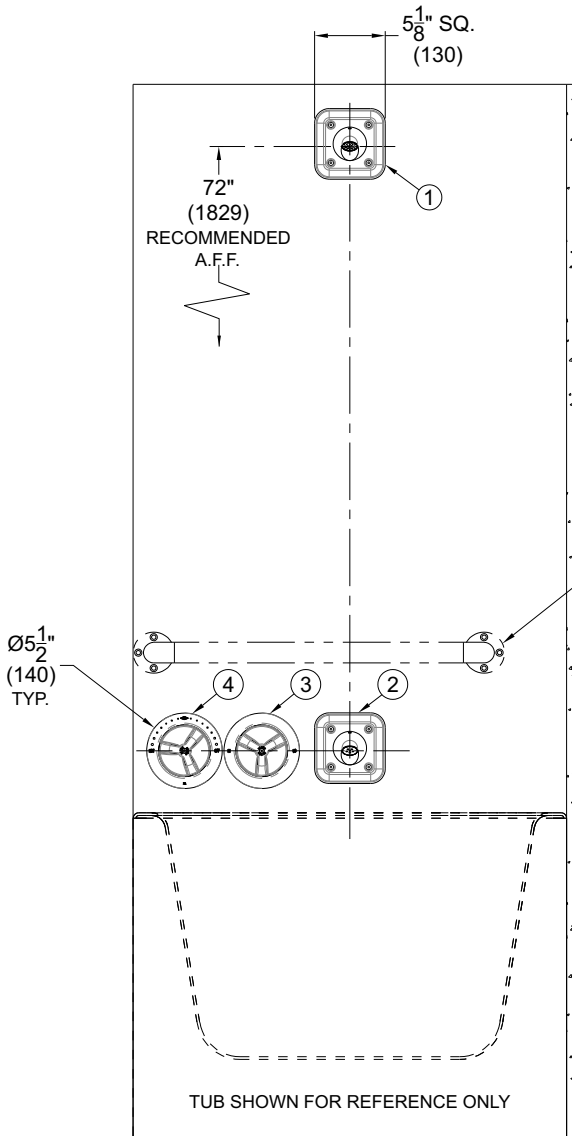
**BASE MODEL NUMBER**

WH538-CSH-SRCH-CTS

Ligature Resistant Shower and Tub Spout

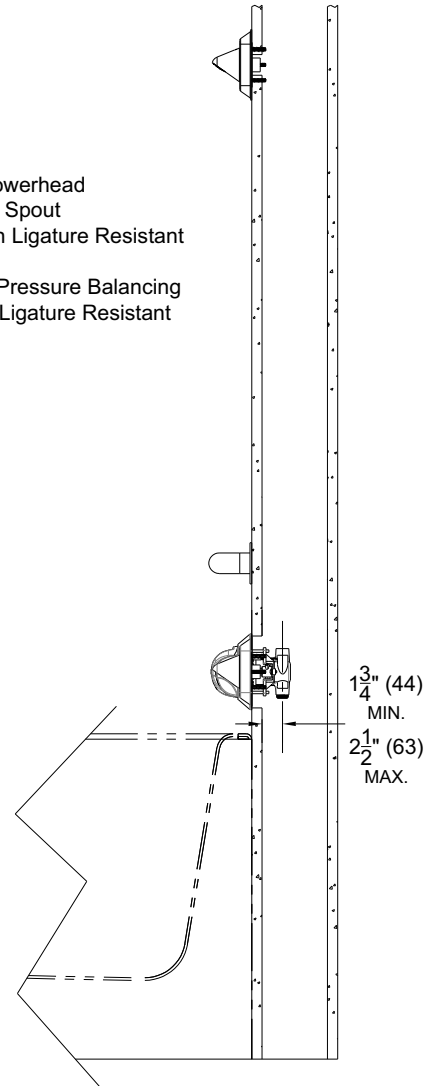
WH538-CSH-SRCH-CTS-WH1832-PF

Ligature Resistant Shower and Tub Spout with Recessed Soap Dish



**Notes:**

1. -CSH Conical Showerhead
2. -CTS Conical Tub Spout
3. Diverter Valve with Ligature Resistant Tri-Lever Handle
4. T/P Temperature-Pressure Balancing Mixing Valve with Ligature Resistant Tri-Lever Handle



WH538-CSH-SRCH-CTS

**WARNING:** Cancer and Reproductive Harm - [www.P65Warnings.ca.gov](http://www.P65Warnings.ca.gov)

**SELECTION SUMMARY & APPROVAL FOR MANUFACTURING**

Model Number & Options \_\_\_\_\_ Quantity \_\_\_\_\_  
 Company \_\_\_\_\_ Date \_\_\_\_\_  
 Contact \_\_\_\_\_ Title \_\_\_\_\_  
 Approval for Manufacturing/Signature \_\_\_\_\_

All dimensions are nominal and subject to manufacturer's change without notice. Whitehall assumes no responsibility for use of void or superseded data © Whitehall Manufacturing, Member of Morris Group International. Please visit [www.whitehallmfg.com](http://www.whitehallmfg.com) for most current specifications.