



**Whitehall Manufacturing®**  
 Manufacturer of Healthcare and Rehabilitation Products since 1946

**BestCare®**  
 Patients, Not Prisoners®

**Healthcare and Ligature  
 Resistant Products**

Division of  
 Acorn Engineering Company®



A MEMBER OF



## Whitehall Ligature Resistant Component Shower

Model WH538-CSH-SRCH  
 Model WH538-CSH-SRCH-WH1832-PF



WH538-CSH-SRCH

US PATENTS - US 10,474,170 B2 & US D697,591

### Ligature Resistant Shower

**Shower** components are arranged to be installed onto finished wall and serviced from the front.

**Shower head** is chrome plated brass with a 14 gage type 304 stainless steel white mounting flange powder coated and provides a vandal and ligature resistant shower head with a conical shape. Spray pattern is a non-adjustable multi-stream style and provides a 1.5 GPM flow rate.

**The T/P Mixing Valve** automatically mixes hot and cold water to deliver blended water within a specific range. Mixing Valve meets the most stringent performance criteria for temperature and pressure changes, defined by ASSE 1016. Valve conforms with lead free requirements of NSF61, Section 9, 1997.

**Stainless Steel Recessed Soap Dish for install into wall** is optionally available. Refer to WH1832-PF Series Submittal for additional Technical Data.

### GUIDE SPECIFICATION

Provide and install a Best-Care™ Ligature Resistant Component Shower. Exposed trim shall be chrome plated. Fixture shall be furnished with an ASSE 1016 control valve with a Patented ADA Compliant Ligature Resistant Tri-Lever Handle and conical shower head.

Please visit [www.whitehallmfg.com](http://www.whitehallmfg.com) for most current specifications.



Recyclable  
 Product



Water  
 Conserving  
 Product

Complies  
 with the  
 following  
 standards:



ASSE 1016  
 CSA B125.16

**CONTROLS  
 INSIDE**

Whitehall Mfg. • P.O. Box 3527 • City of Industry, CA 91744 • (800) 782-7706 • (626) 968-6681

**WH538-CSH-SRCH**

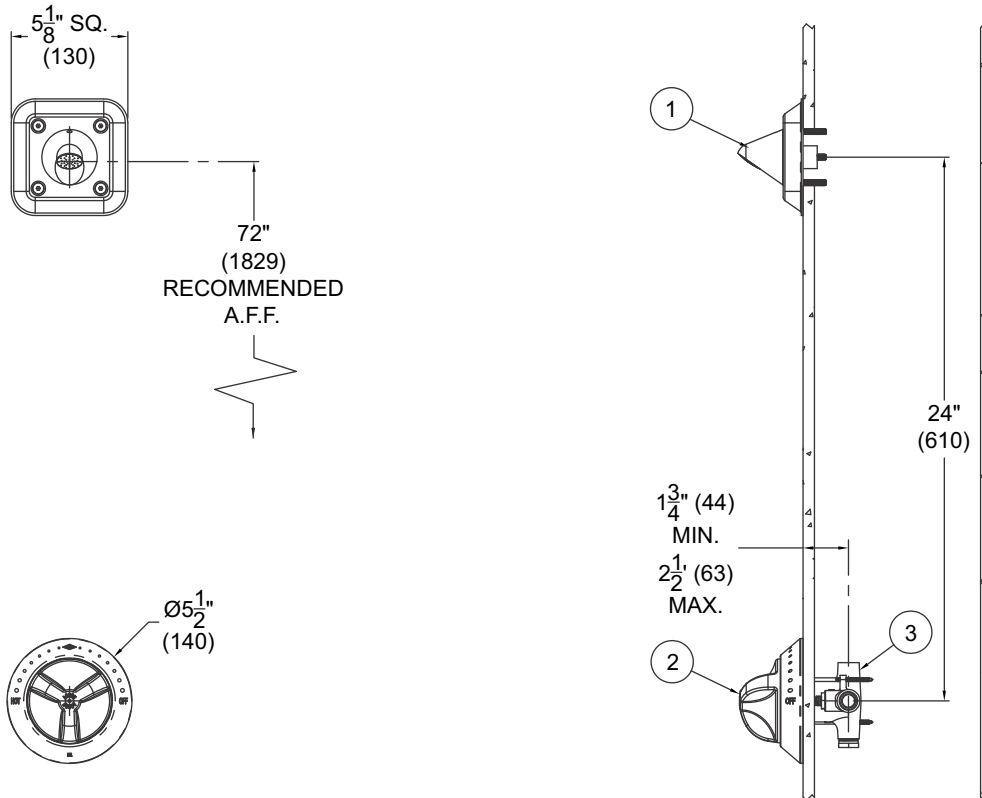
Revised: 01/04/2024



**MODEL NUMBER AND OPTIONS SELECTION:**

**BASE MODEL NUMBER**

- WH538-CSH-SRCH                      Ligature Resistant Component Wall Shower
- WH538-CSH-SRCH-WH1832-PF      Ligature Resistant Component Wall Shower with Recessed Soap Dish



WH538-CSH-SRCH

**NOTES:**

- 1. -CSH CONICAL SHOWERHEAD
- 2. PATENTED ADA COMPLIANT LIGATURE RESISTANT TRI-LEVER HANDLE
- 3. T/P TEMPERATURE-PRESSURE BALANCING MIXING VALVE

**DISCLAIMER:**

This product is designed to decrease the probability that it may be utilized as an apparatus for ligature. It is not a replacement for professionals who are trained in the proper evaluation, management and supervision of persons at risk of suicide.

**⚠ WARNING: Cancer and Reproductive Harm - [www.P65Warnings.ca.gov](http://www.P65Warnings.ca.gov)**

**SELECTION SUMMARY & APPROVAL FOR MANUFACTURING**

Model Number & Options \_\_\_\_\_ Quantity \_\_\_\_\_  
 Company \_\_\_\_\_ Date \_\_\_\_\_  
 Contact \_\_\_\_\_ Title \_\_\_\_\_  
 Approval for Manufacturing/Signature \_\_\_\_\_

All dimensions are nominal and subject to manufacturer's change without notice. Whitehall assumes no responsibility for use of void or superseded data © Whitehall Manufacturing, Member of Morris Group International. Please visit [www.whitehallmfg.com](http://www.whitehallmfg.com) for most current specifications.