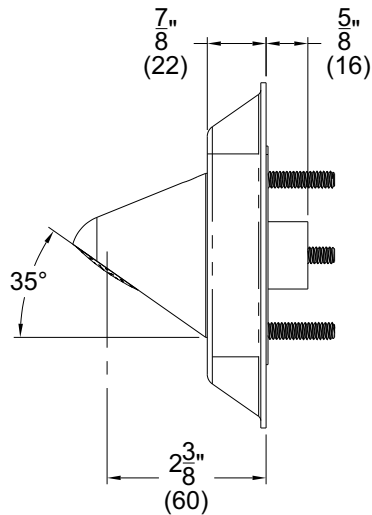
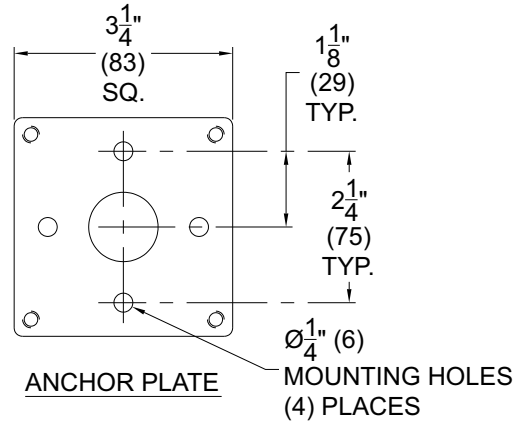
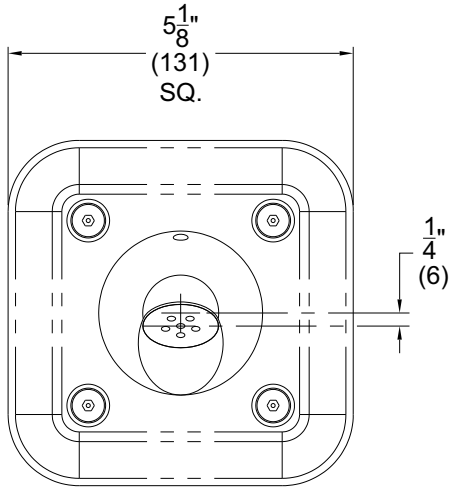




Division of  
 Acorn Engineering Company



A MEMBER OF



**FEATURES:**

- Chrome Plated Brass Spout Body, Spray pattern is a non-adjustable multi-stream style
- Stainless Steel Escutcheon with White Powder Coated Finish
- Ligature Resistant design
- 1/2" NPT x O-ring Adapter, Inlet Connection
- Vandal Resistant Fasteners provided

**CONICAL TUB SPOUT**



Recyclable Product



Water Conserving Product

Please visit [www.whitehallmfg.com](http://www.whitehallmfg.com) for most current specifications.

⚠ WARNING: Cancer and Reproductive Harm - [www.P65Warnings.ca.gov](http://www.P65Warnings.ca.gov)

Complies with the following standards:

