



Division of Acorn Engineering Company®



A MEMBER OF

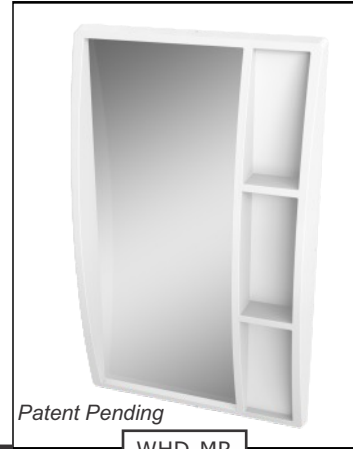


MORRIS GROUP INTERNATIONAL

LIGATURE RESISTANT MIRROR AND UTILITY SHELF

The BestCare® Dignity Suite™ is a curated collection of ligature-resistant bathroom fixtures and accessories. Designed to create a peaceful and well-balanced environment, the Dignity Suite™ is stylish and sleek while simultaneously protecting patients' safety.

The Dignity Suite™ Mirror and Utility Shelf Assembly combines safety with patient friendly looks and function. The outer Frame and shelf Compartments are constructed of Blanco Gloss (OCC11) color Corterra® solid surface polymer resin to provide strength while eliminating sharp corners and is Greenguard Gold listed. The shelf compartments are oversize in height for storage of both short and tall items. For safety and durability, the reflective surface is type 430 stainless steel, with high polish mirror finish. The backing of the solid surface shelf is provided with matching Corterra® color. The installation process incorporates a unique, concealed mounting system to eliminate visible fasteners, improve security and provide a less institutional look. The unit is intended for installation on a finished wall from the front side.



Patent Pending

WHD-MR

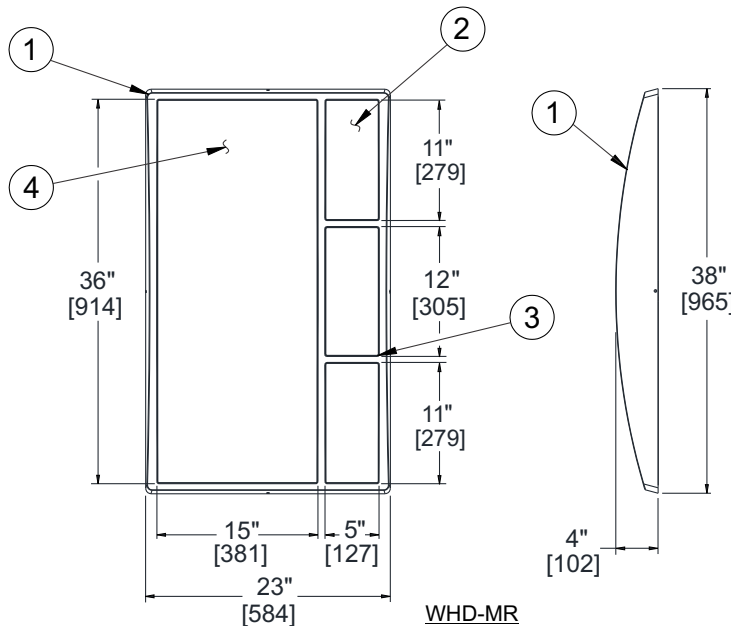
MODEL NUMBER AND OPTIONS SELECTION:

BASE MODEL NUMBER

WHD-MR-OCC11 23" x 38" (W X H) Mirror and Shelf

OPTIONS

-OCC Optional Corterra® Color - Specify _____
 (Refer to <https://www.whitehallmfg.com/corterra-solid-surface> for available colors)



NOTES:

1. Mirror Frame
2. Shelf Backing
3. Shelves
4. Mirror

DISCLAIMER:

This product is designed to decrease the probability that it may be utilized as an apparatus for ligature. It is not a replacement for professionals who are trained in the proper evaluation, management and supervision of persons at risk of suicide.

⚠ WARNING: Cancer and Reproductive Harm - www.P65Warnings.ca.gov

SELECTION SUMMARY & APPROVAL FOR MANUFACTURING

Model Number & Options _____ Quantity _____
 Company _____ Date _____
 Contact _____ Title _____
 Approval for Manufacturing/Signature _____



All dimensions are nominal and subject to manufacturer's change without notice. Whitehall assumes no responsibility for use of void or superseded data © Whitehall Manufacturing, Member of Morris Group International. Please visit www.whitehallmfg.com for most current specifications.