



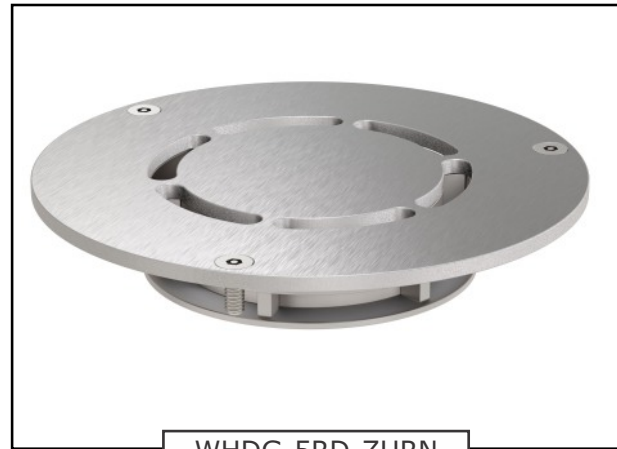
**Zurn® Brand Retrofit
 Ligature Resistant Drain Grate**

A Ligature Resistant Floor Drain Grate designed to replace and retrofit into a previously installed Zurn® Drain Body. The Grate is designed with an internal Gusset system that helps prevent ligature points. The Strainer Plate is fabricated from 10 gauge 304 stainless steel and polished to a satin finish. Replacement vandal resistant Screws are provided.

*Intended for use with:

- Z415S Body Assy with "Type S" Strainer
- Z415B Body Assy with "Type B" Strainer

(* Subject to change without notice. Field verify fit.)



WHDG-5RD-ZURN

MODEL NUMBER AND OPTIONS SELECTION:

BASE MODEL NUMBER (Must Specify)

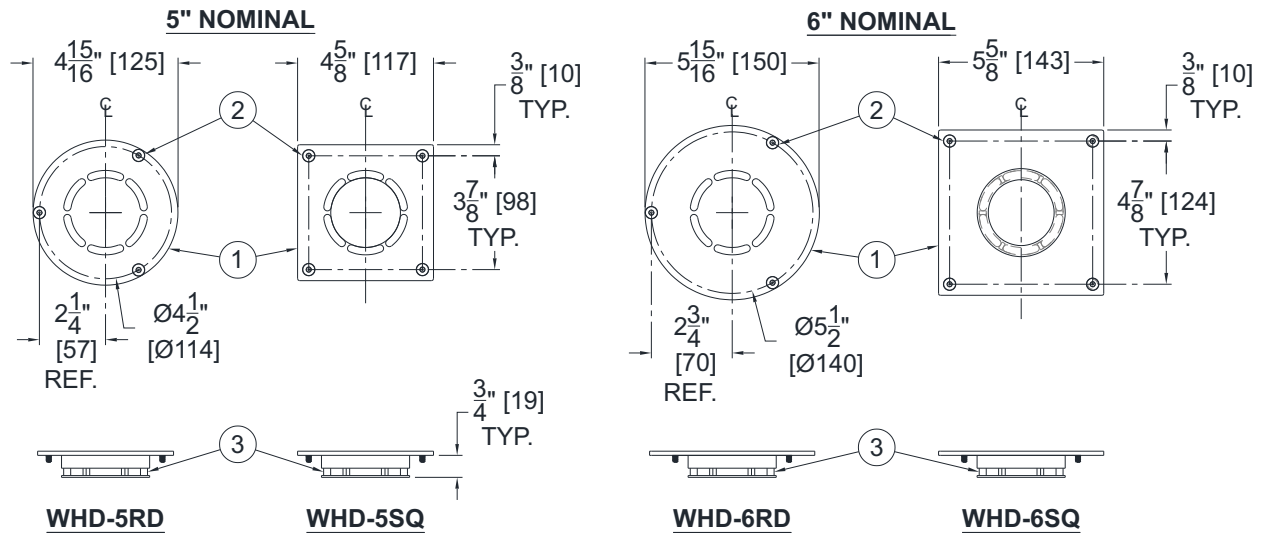
ROUND

- WHDG-5RD-ZURN 5" Round Floor Drain Grate Only
- WHDG-6RD-ZURN 6" Round Floor Drain Grate Only

SQUARE

- WHDG-5SQ-ZURN 5" Square Floor Drain Grate Only
- WHDG-6SQ-ZURN 6" Square Floor Drain Grate Only

STRAINER SIZE	FREE AREA SQ IN (SQ CM)
5" (127)	1.81 / 11.7
6" (152)	1.81 / 11.7



NOTES:

1. Ligature Resistant Strainer
2. Vandal Resistant Screws
3. Ligature Resistant Baffle

DISCLAIMER:

This product is designed to decrease the probability that it may be utilized as an apparatus for ligature. It is not a replacement for professionals who are trained in the proper evaluation, management and supervision of persons at risk of suicide.

WARNING: Cancer and Reproductive Harm - www.P65Warnings.ca.gov

SELECTION SUMMARY & APPROVAL FOR MANUFACTURING

Model Number & Options _____ Quantity _____
 Company _____ Date _____
 Contact _____ Title _____
 Approval for Manufacturing/Signature _____