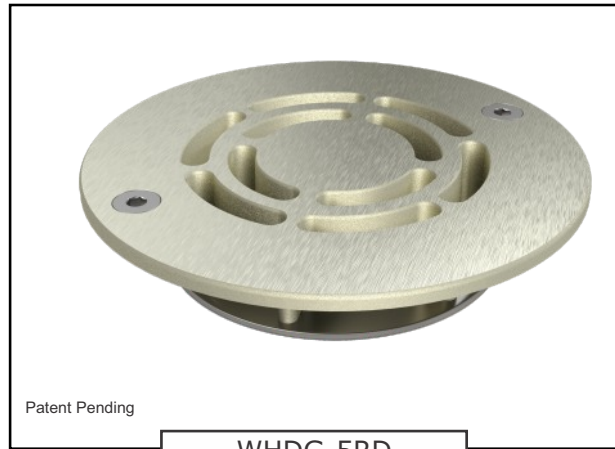




Ligature Resistant Floor Drain Grate

Ligature Resistant Drain Grate is designed with an Internal Gusset system that helps prevent ligature points. For use in JR SMITH Floor Drains. The Round Grate is used for all types of poured finished floors. The Square Grate is particularly adaptable to floors that are finished in square or straight line patterns. Assembles to JR Smith Adjustable Strainer Head Figure A05NB series.



Patent Pending

WHDG-5RD

MODEL NUMBER AND OPTIONS SELECTION:

BASE MODEL NUMBER (Must Specify)

ROUND

- WHDG-5RD 5" Round Floor Drain Grate Only
- WHDG-6RD 6" Round Floor Drain Grate Only

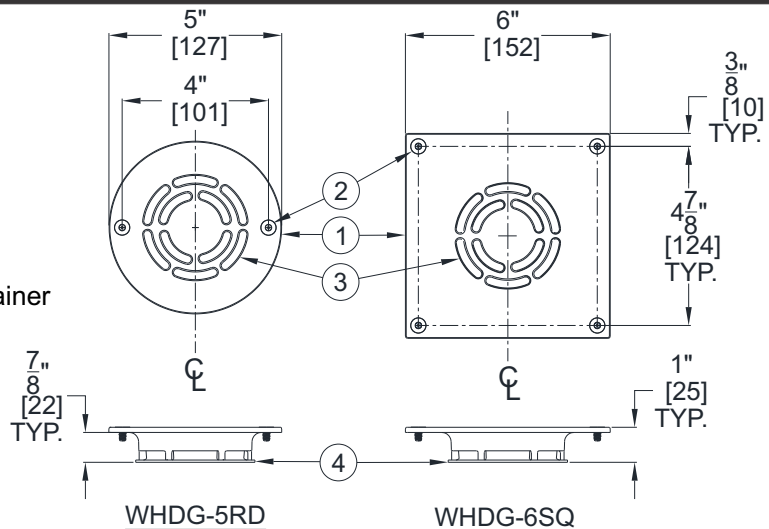
SQUARE

- WHDG-5SQ 5" Square Floor Drain Grate Only
- WHDG-6SQ 6" Square Floor Drain Grate Only

STRAINER SIZE DIA OR SQ	FREE AREA SQ IN (SQ CM)
5" [127]	2.92 / 18.8
6" [152]	2.92 / 18.8

NOTES:

1. Ligature Resistant Nickel Bronze Strainer
2. Vandal Resistant Screws
3. Strainer Slots = 2.92 in² Free Area
4. Ligature Resistant Baffle



DISCLAIMER:

This product is designed to decrease the probability that it may be utilized as an apparatus for ligature. It is not a replacement for professionals who are trained in the proper evaluation, management and supervision of persons at risk of suicide.

WARNING: Cancer and Reproductive Harm - www.P65Warnings.ca.gov

SELECTION SUMMARY & APPROVAL FOR MANUFACTURING

Model Number & Options _____ Quantity _____
 Company _____ Date _____
 Contact _____ Title _____
 Approval for Manufacturing/Signature _____



All dimensions are nominal and subject to manufacturer's change without notice. Whitehall assumes no responsibility for use of void or superseded data © Whitehall Manufacturing, Member of Morris Group International. Please visit www.whitehallmfg.com for most current specifications.