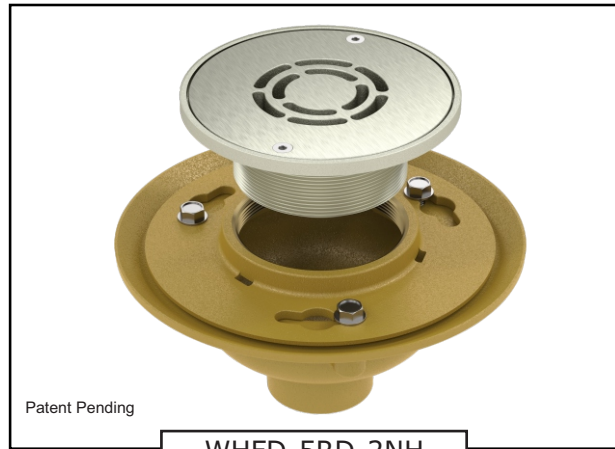




Ligature Resistant Floor Drains

Ligature resistant floor drains are designed with an internal gusset system that helps prevent ligature points. Recommended for use in showers, bathrooms, kitchens and other areas where foot traffic is expected. The round top strainer head is used for all types of poured finished floors. The square top is particularly adaptable to floors that are finished in square or straight line patterns. Reversible flashing collar permits adjustment of strainer to meet finished floor level.



Patent Pending

WHFD-5RD-2NH

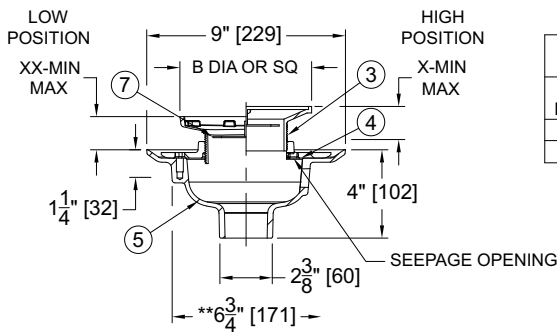
**MODEL NUMBER AND OPTIONS SELECTION:
 BASE MODEL NUMBER (Must Specify)**

ROUND

- WHFD-5RD-2NH 5" Round Floor Drain, Strainer and Grate
- WHFD-6RD-2NH 6" Round Floor Drain, Strainer and Grate

SQUARE

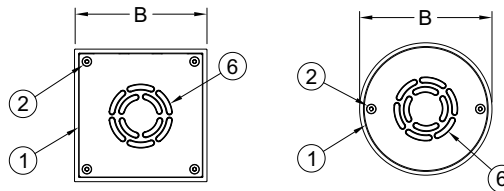
- WHFD-5SQ-2NH 5" Square Floor Drain, Strainer and Grate
- WHFD-6SQ-2NH 6" Square Floor Drain, Strainer and Grate



STRAINER SIZE B	*COLLAR IN HIGH POSITION X		*COLLAR IN LOW POSITION XX		FREE AREA SQ IN (SQ CM)
	MIN	MAX	MIN	MAX	
5" (125) DIA OR SQ	1-1/4" (32)	2-1/4" (57)	3/4" (19)	1-5/8" (41)	2.92 / 18.8
6" (150)	1-1/4" (32)	2-1/4" (57)	3/4" (19)	1-5/8" (41)	2.92 / 18.8

NOTES:

1. Ligature Resistant Nickel Bronze Strainer
2. Vandal Resistant Screws
3. Adjustable Height Nickel Bronze Strainer Head
4. Reversible Duco Cast Iron Flashing Collar
5. JR SMITH - Duco Cast Iron 2" No Hub Drain Body
6. 6 Strainer Slots = 2.92 in² Free Area
7. Ligature Resistant Baffle



DISCLAIMER:

This product is designed to decrease the probability that it may be utilized as an apparatus for ligature. It is not a replacement for professionals who are trained in the proper evaluation, management and supervision of persons at risk of suicide.

WARNING: Cancer and Reproductive Harm - www.P65Warnings.ca.gov

SELECTION SUMMARY & APPROVAL FOR MANUFACTURING

Model Number & Options _____ Quantity _____
 Company _____ Date _____
 Contact _____ Title _____
 Approval for Manufacturing/Signature _____



All dimensions are nominal and subject to manufacturer's change without notice. Whitehall assumes no responsibility for use of void or superseded data © Whitehall Manufacturing, Member of Morris Group International. Please visit www.whitehallmfg.com for most current specifications.