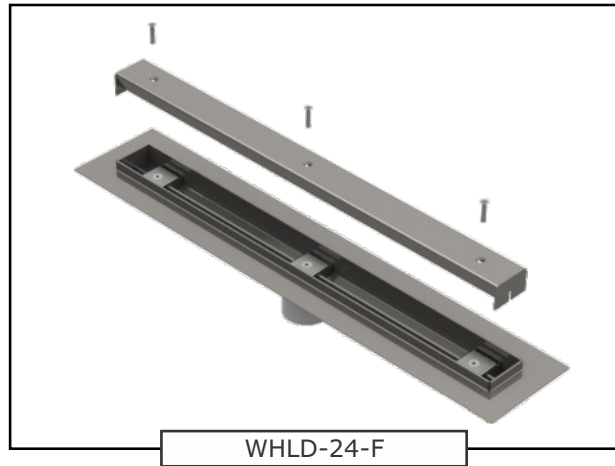




**Ligature Resistant Linear Drain with
 Flashing Flange**

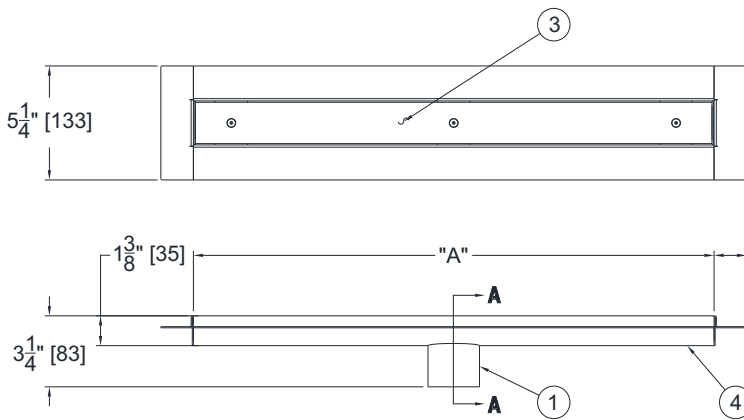
BestCare® Linear drains are designed with a linear drain cover without perforations to prevent ligature points. BestCare® Linear drains are perfect for wheelchair accessible showers and are easily incorporated in ADA compliant bathroom designs with Tile Floors. A hidden shield under the drain cover also prevents ligature points. Drain components are fabricated from 16 gage type 304 stainless steel with a #4 satin finish. A 'V' trough drain design with a centered 2" no-hub outlet allows for a single slope to drain allowing the use of larger tiles and greater design flexibility. Linear drains may be located in the middle back or the entrance of the shower area. They may also be used in tub-to-shower conversions.



MODEL NUMBER AND OPTIONS SELECTION:

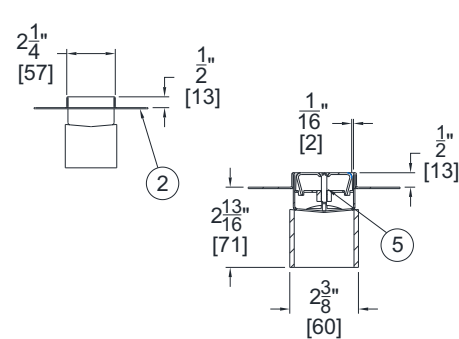
BASE MODEL NUMBER

- WHLD-12-F 12" Linear Drain with -F Flashing Flange
- WHLD-24-F 24" Linear Drain with -F Flashing Flange
- WHLD-30-F 30" Linear Drain with -F Flashing Flange
- WHLD-36-F 36" Linear Drain with -F Flashing Flange
- WHLD-48-F 48" Linear Drain with -F Flashing Flange
- WHLD-60-F 60" Linear Drain with -F Flashing Flange



1. 2" No-Hub Outlet
2. Flashing Collar (Intended for use with Tile Floors)
3. 16 Gage Type 304 Stainless Steel Ligature Resistant Drain Cover
4. 16 Gage Type 304 Stainless Steel Linear Trough Drain
5. Ligature Prevention Shield

MODEL NO.	"A"	OPEN AREA
WHLD-12-F	12" [305mm]	1.63 SQ IN
WHLD-24-F	24" [610mm]	3.15 SQ IN
WHLD-30-F	30" [762mm]	3.91 SQ IN
WHLD-36-F	36" [914mm]	4.67 SQ IN
WHLD-48-F	48" [1219mm]	6.19 SQ IN
WHLD-60-F	60" [1524mm]	7.71 SQ IN



SECTION A-A

DISCLAIMER:

This product is designed to decrease the probability that it may be utilized as an apparatus for ligature. It is not a replacement for professionals who are trained in the proper evaluation, management and supervision of persons at risk of suicide.

WARNING: Cancer and Reproductive Harm - www.P65Warnings.ca.gov



All dimensions are nominal and subject to manufacturer's change without notice. Whitehall assumes no responsibility for use of void or superseded data © Whitehall Manufacturing, Member of Morris Group International. Please visit www.whitehallmfg.com for most current specifications.

SELECTION SUMMARY & APPROVAL FOR MANUFACTURING

Model Number & Options _____ Quantity _____
 Company _____ Date _____
 Contact _____ Title _____
 Approval for Manufacturing/Signature _____