



Whitehall Ligature Resistant Siphon Jet ADA Replacement Toilet (Flush Valve Cover Provided Separately)

Model WHR2142ADA



Ligature Resistant Siphon Jet Replacement Toilet - ADA 2010 Compliant

Ligature Resistant Siphon Jet Replacement Toilet is arranged to be installed against a finished wall from the front side with a fixture-to-wall mounting channel. Fixture is designed to replace a variety of existing toilets. Unit is fabricated from 16 gage, type 304 stainless steel and is seamless welded construction with exterior surfaces powder coated white (interior of toilet will have a satin finish and will not be powder coated). Toilet will be provided with WH-LRSC-GRAY Ligature Resistant ABS Toilet Seat Cover.

Toilet is siphon jet type with an elongated bowl manufactured to comply with ASME A112.19.3, CSA B45.4 and 2010 ADA Standards for Accessible Design. Toilet requires a minimum of 25 PSI flow pressure and uses a minimum water consumption of 1.28 GPF. Trap has a minimum 3-1/2" seal, will pass a 2-1/8" ball and is fully enclosed. Toilet has a 1-1/2" NPT flushing inlet connection. Wall waste outlet connection is a 5-1/2" gasket flange. Floor waste outlet locations from rear of fixture with a 7-1/2" gasket flange.

Optional Hydraulic Flush Valve is concealed type with cast bronze body. Flush valve supply is available in 1.28 GPF and 1.6 GPF. All exposed parts are chrome plated.

Optional Flush Valve Cover is 16 gage, type 304 stainless steel with exposed surfaces powder coated white. It is furnished with six removable wall brackets secured with vandal resistant screws. Refer to WH2802-ADA submittal for additional information. (For top supply toilet only.)

GUIDE SPECIFICATION

Provide and install Whitehall Best-Care™ Ligature Resistant ADA 2010 Compliant Replacement Toilet (specify model number and options). Fixture shall be fabricated from 16 gage, type 304 stainless steel. Construction shall be seamless welded and outside surfaces are powder coated white. Housing to include side access panels. Toilet shall be concealed siphon jet type with an elongated bowl and self-draining flushing rim. Toilet shall be ASME A112.19.3, CSA B45.4 and 2010 ADA compliant. Toilet requires a minimum of 25 PSI flow pressure and uses a minimum water consumption of 1.28 GPF. Toilet trap shall have a minimum 3-1/2" seal and shall pass a 2-1/8" diameter ball and is fully enclosed. Provided with WH-LRSC-GRAY Ligature Resistant ABS Toilet Seat Cover.

• **Patented US 10,052,000 B2**

Please visit www.whitehallmfg.com
 for most current specifications.



Member of
 U.S. Green
 Building
 Council



Recyclable
 Product



Water
 Conserving
 Product

Complies
 with the
 following
 standards:





MODEL NUMBER AND OPTIONS SELECTION:

BASE MODEL NUMBER

- WHR2142ADA-T-2-EGE10 Wall Outlet, Siphon Jet Replacement Toilet
- WHR2142ADA-T-3-EGE10 Floor Outlet, Siphon Jet Replacement Toilet

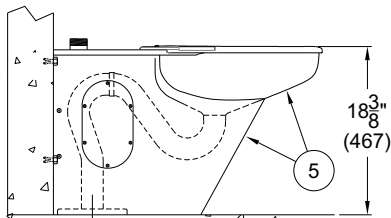
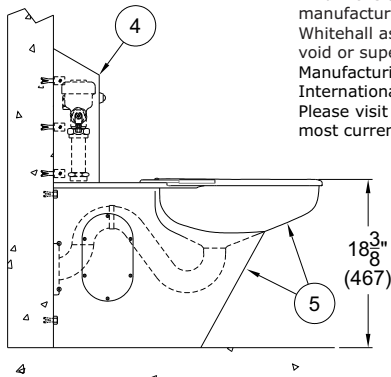
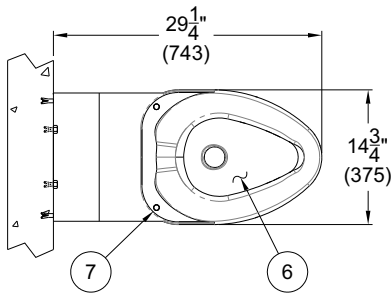
Optional Flush Valve Cover w/ Flush Valve (Must Specify):

- WH2802SLPT-ADA-EG10-1.28 Ligature Resistant Flush Valve Cover With 1.28 GPF Hydraulic Flush Valve (White)
- WH2802SLPT-ADA-EG10-1.6 Ligature Resistant Valve Cover With 1.6 GPF Hydraulic Flush Valve (White)

Accessories:

Note: Gray Ligature Resistant Seat Cover is Standard

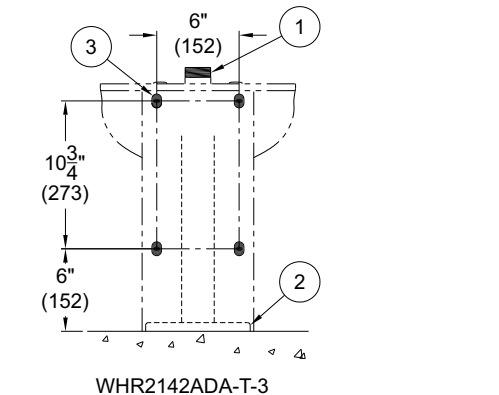
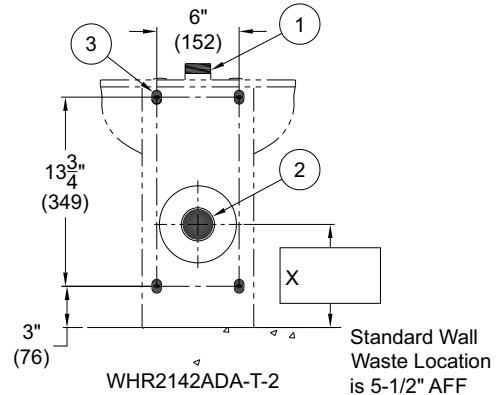
- WH-LRSC-WHITE Ligature Resistant Seat Cover, White (Shipped Loose)
- WH-LRSC-BLACK Ligature Resistant Seat Cover, Black (Shipped Loose)



Standard Floor Waste Outlet locations are 10" & 12".
 For Y dimensions larger than 12", length increases proportionally.

All dimensions are nominal and subject to manufacturer's change without notice. Whitehall assumes no responsibility for use of void or superseded data © Whitehall Manufacturing, Member of Morris Group International. Please visit www.whitehallmfg.com for most current specifications.

1. Flushing Inlet
2. Waste Outlet
3. Mounting Points
4. Optional Flush Valve Cover With Flush Valve
5. Exterior Surfaces Powder Coated White
6. Interior of Toilet w/ Satin Finish (Not Powder Coated)
7. WH-LRSC-GRAY Whitehall Ligature Resistant ABS Toilet Seat Cover



WARNING: Cancer and Reproductive Harm - www.P65Warnings.ca.gov

SELECTION SUMMARY & APPROVAL FOR MANUFACTURING

Model Number & Options _____ Quantity _____
 Company _____ Date _____
 Contact _____ Title _____
 Approval for Manufacturing/Signature _____



MODEL NUMBER AND OPTIONS SELECTION:

BASE MODEL NUMBER

- WHR2142ADA-W-2-EGE10 Wall Outlet, Siphon Jet Replacement Toilet
- WHR2142ADA-W-3-EGE10 Floor Outlet, Siphon Jet Replacement Toilet

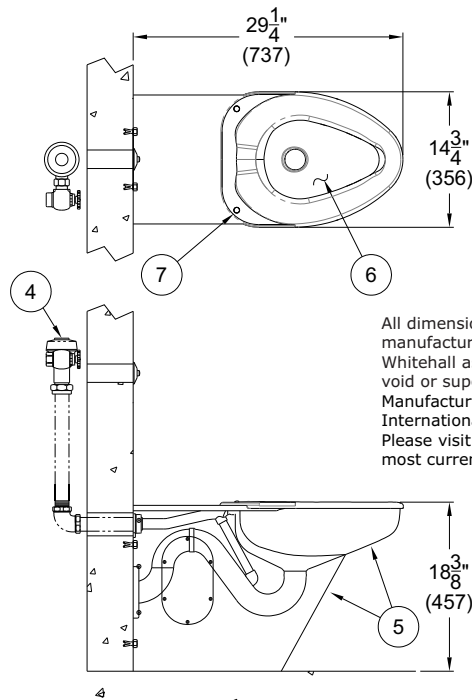
Optional Flush Valve (Must Specify):

- HET 1.28 GPF Hydraulic Flush Valve
- ULF 1.6 GPF Hydraulic Flush Valve

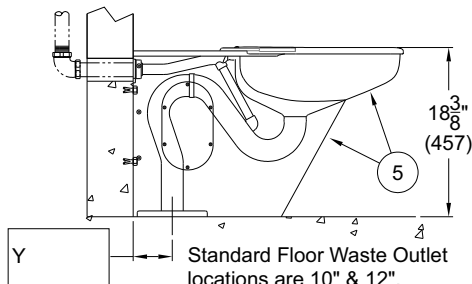
Accessories:

Note: Gray Ligature Resistant Seat Cover is Standard

- WH-LRSC-WHITE Ligature Resistant Seat Cover, White (Shipped Loose)
- WH-LRSC-BLACK Ligature Resistant Seat Cover, Black (Shipped Loose)

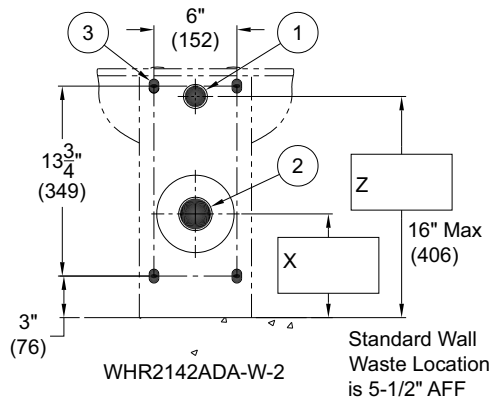


All dimensions are nominal and subject to manufacturer's change without notice. Whitehall assumes no responsibility for use of void or superseded data. © Whitehall Manufacturing, Member of Morris Group International. Please visit www.whitehallmfg.com for most current specifications.



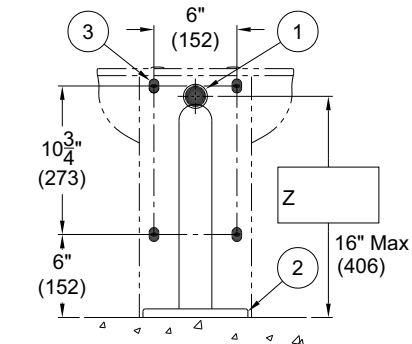
Standard Floor Waste Outlet locations are 10" & 12". For Y dimensions larger than 12", length increases proportionally.

1. Flushing Inlet
2. Waste Outlet
3. Mounting Points
4. Optional Flush Valve
5. Exterior Surfaces Powder Coated White
6. Interior of Toilet w/ Satin Finish (Not Powder Coated)
7. WH-LRSC-GRAY Whitehall Ligature Resistant ABS Toilet Seat Cover (Standard)



WHR2142ADA-W-2

Standard Wall Waste Location is 5-1/2" AFF



WHR2142ADA-W-3

⚠ WARNING: Cancer and Reproductive Harm - www.P65Warnings.ca.gov

SELECTION SUMMARY & APPROVAL FOR MANUFACTURING

Model Number & Options _____ Quantity _____
 Company _____ Date _____
 Contact _____ Title _____
 Approval for Manufacturing/Signature _____